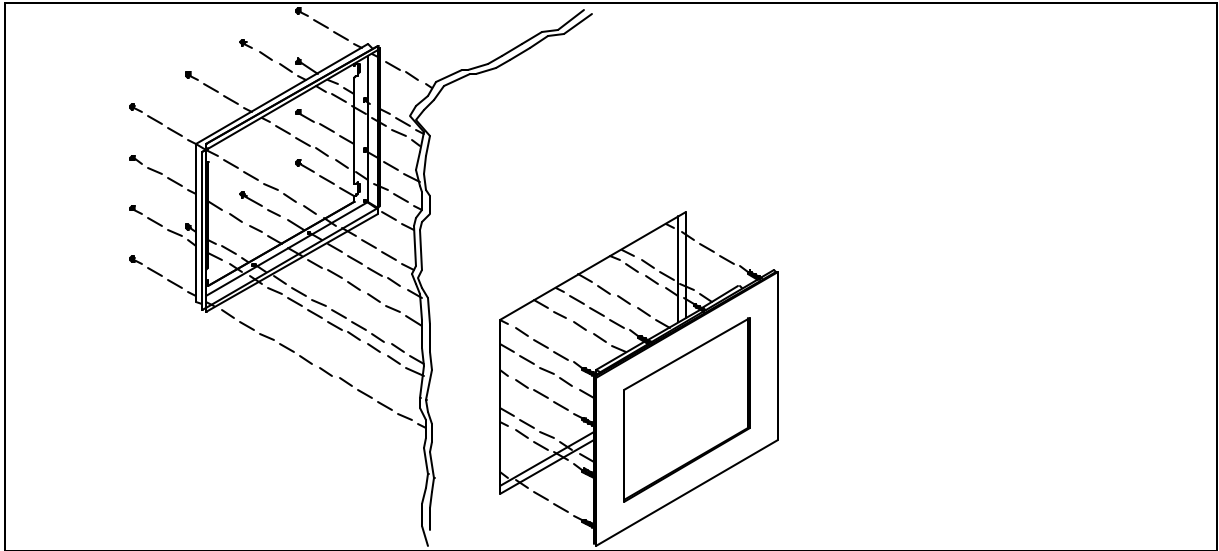


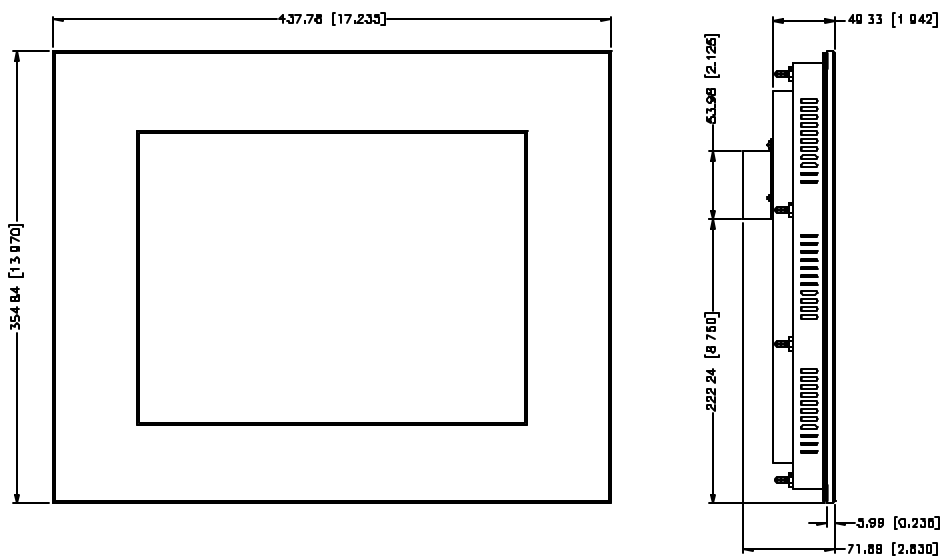
# Drawings

## HIS ML15 Industrial LCD Monitor

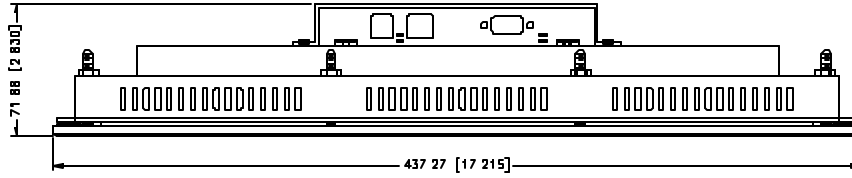
### Enclosure Mounting Diagram



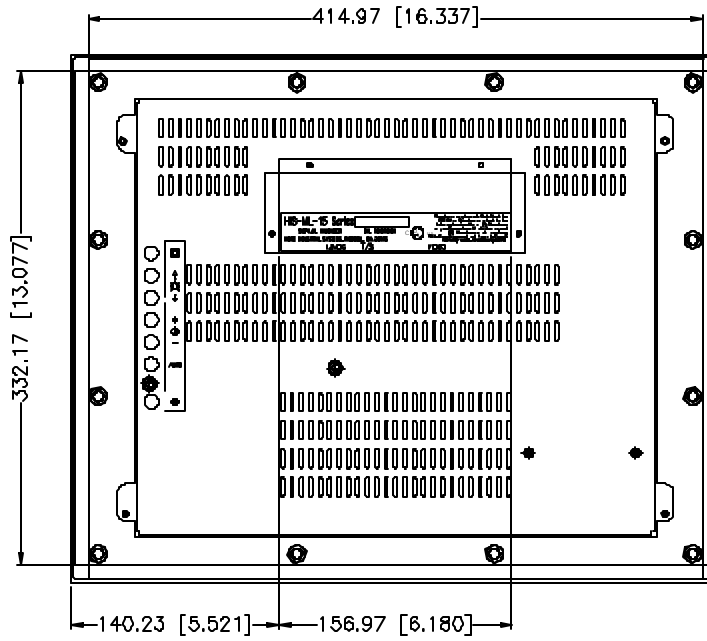
### Front and Side Views



### Bottom View



### Rear View



### Rear View (showing Cutout Dimensions)

