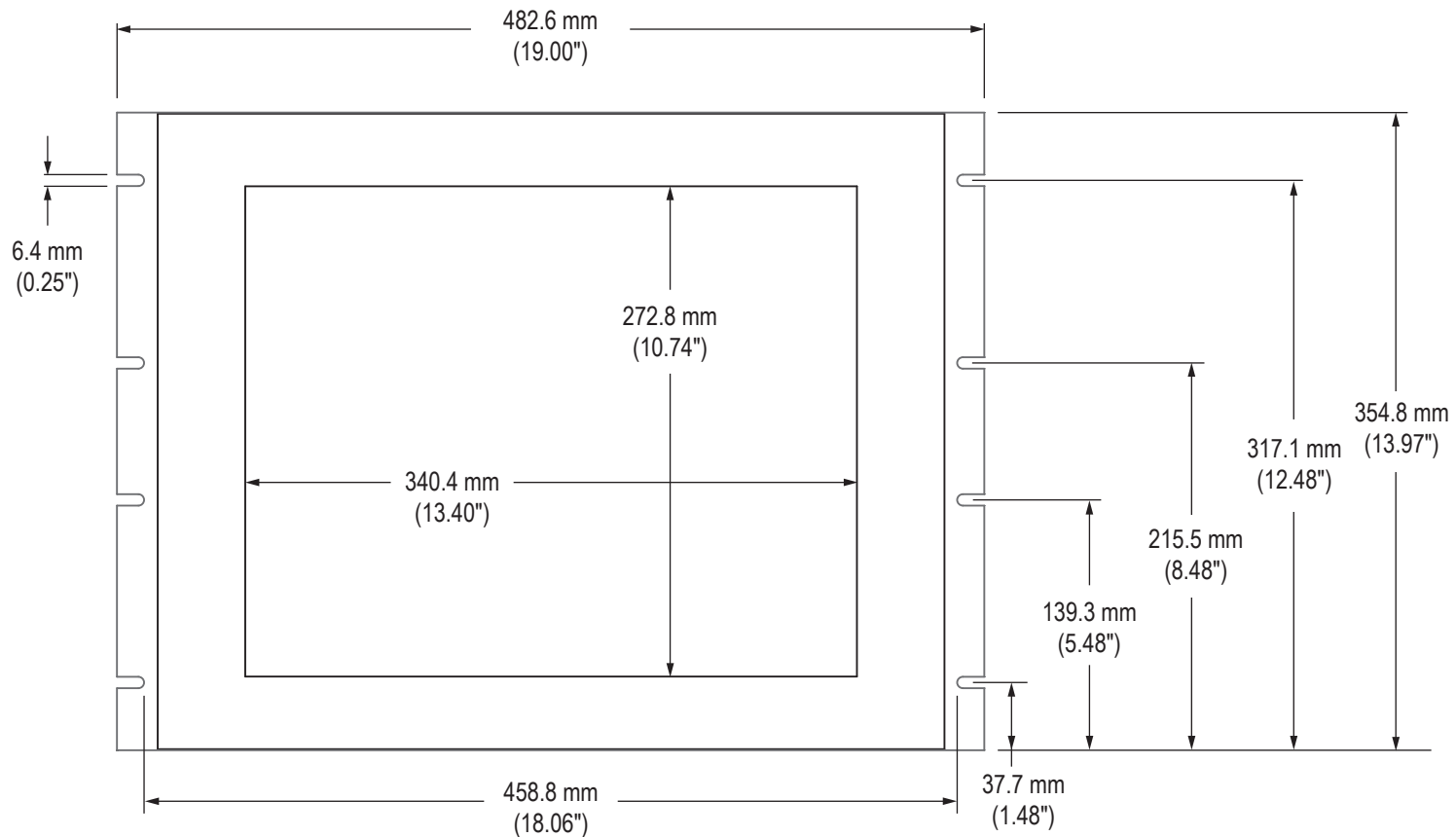
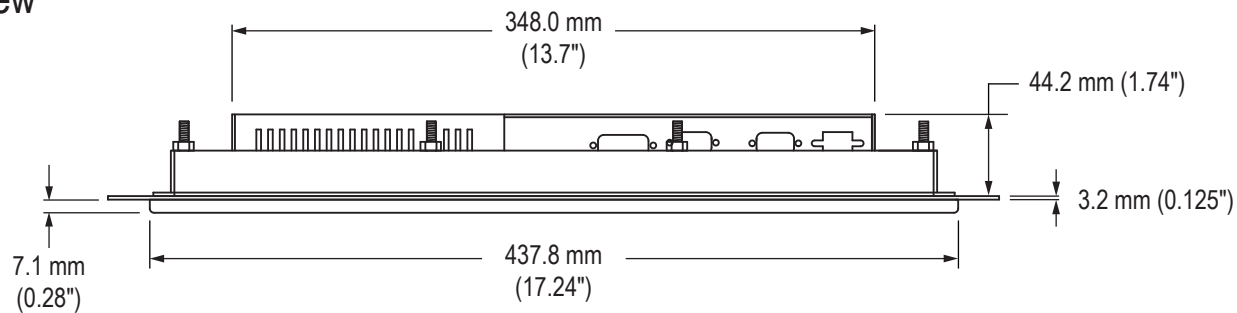


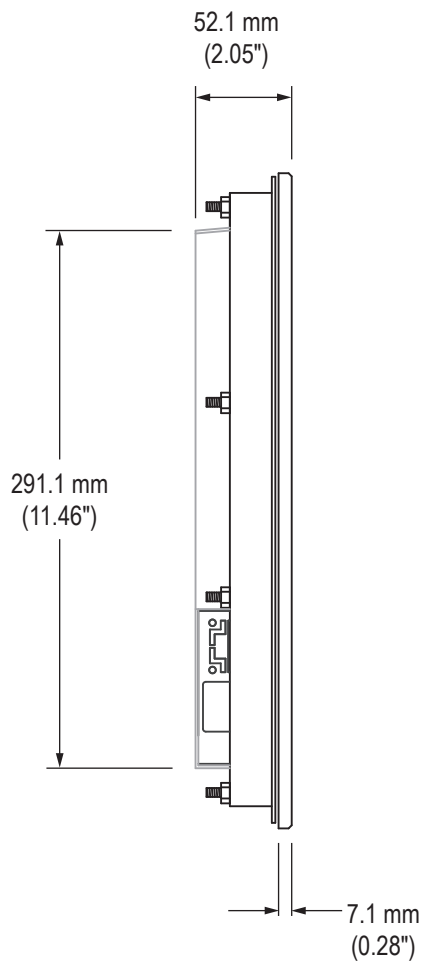
Front View



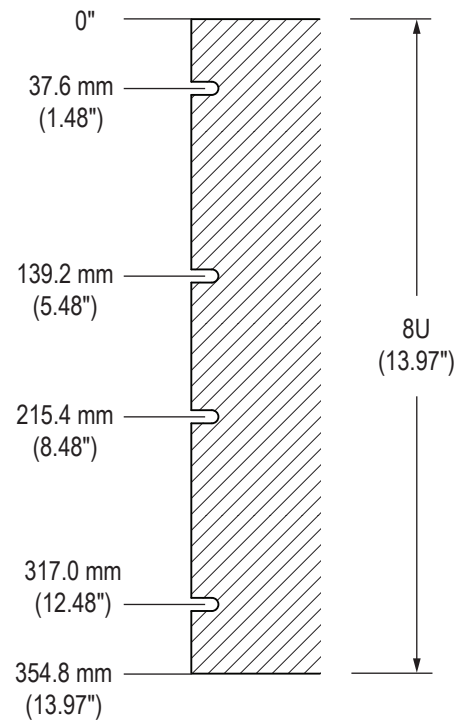
Bottom View



Side View

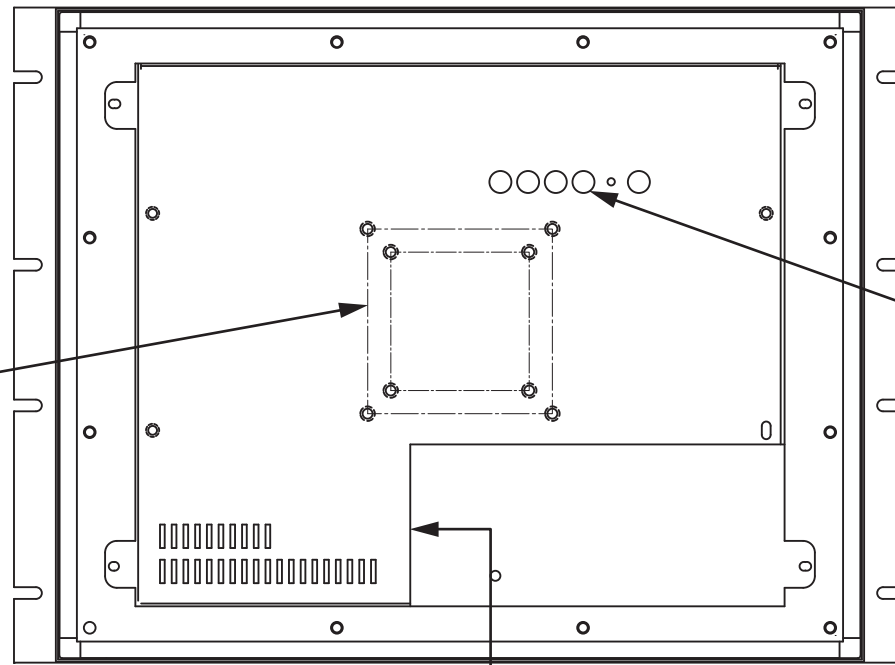


Panel Height



Cable Connections
Rear View

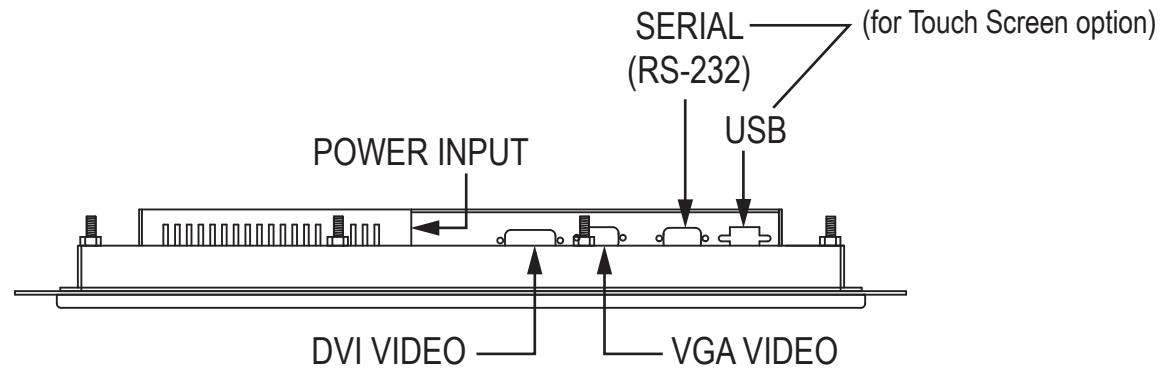
75 and 100 mm VESA
MOUNTING PATTERN
(M4 SCREWS PROVIDED,
16 mm MAXIMUM DEPTH
OF SCREW)



CONTROL PANEL
BUTTONS

POWER INPUT

Bottom View



SERIAL (RS-232) (for Touch Screen option)

POWER INPUT

USB

DVI VIDEO

VGA VIDEO

