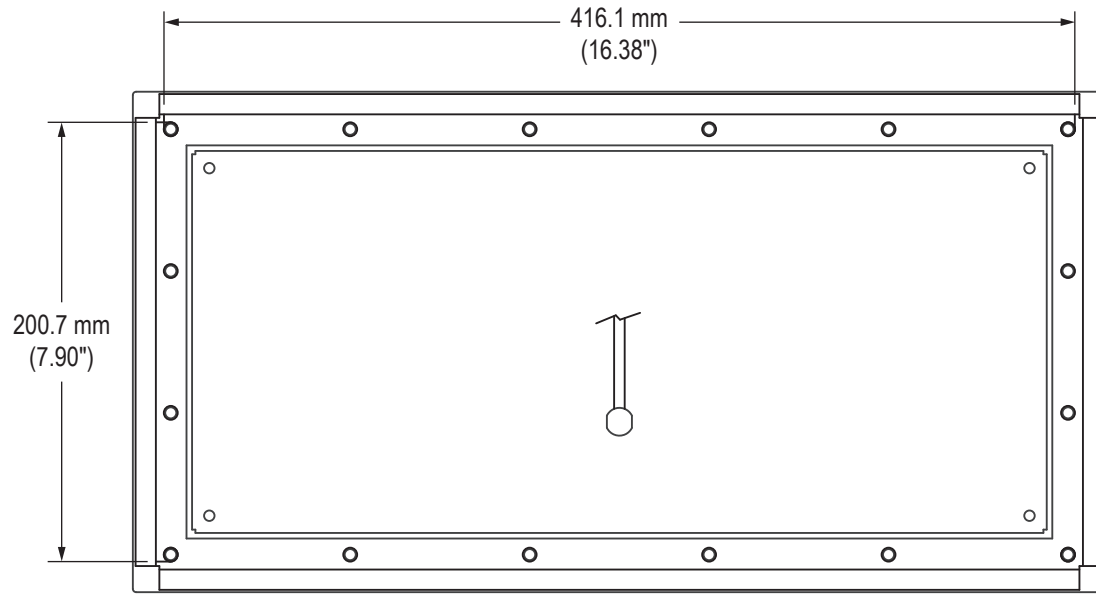
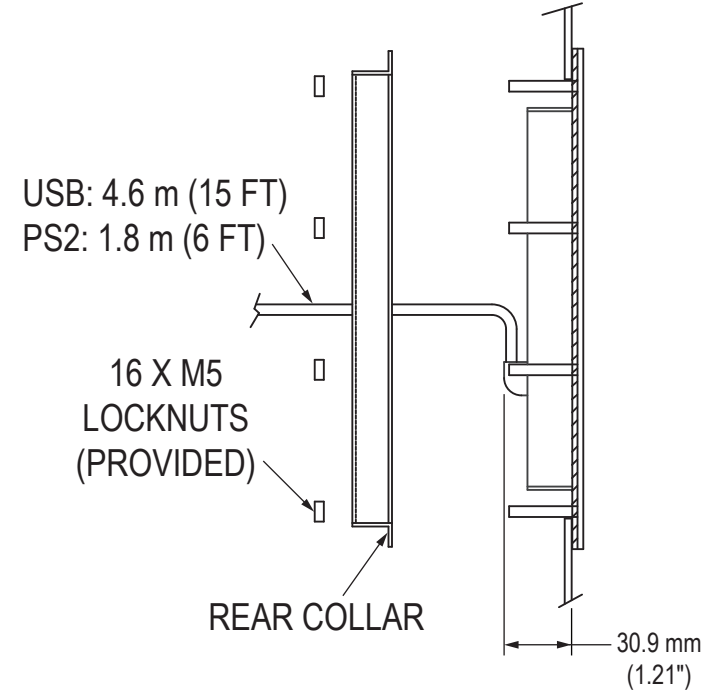


Rear View (showing Cutout Dimensions)

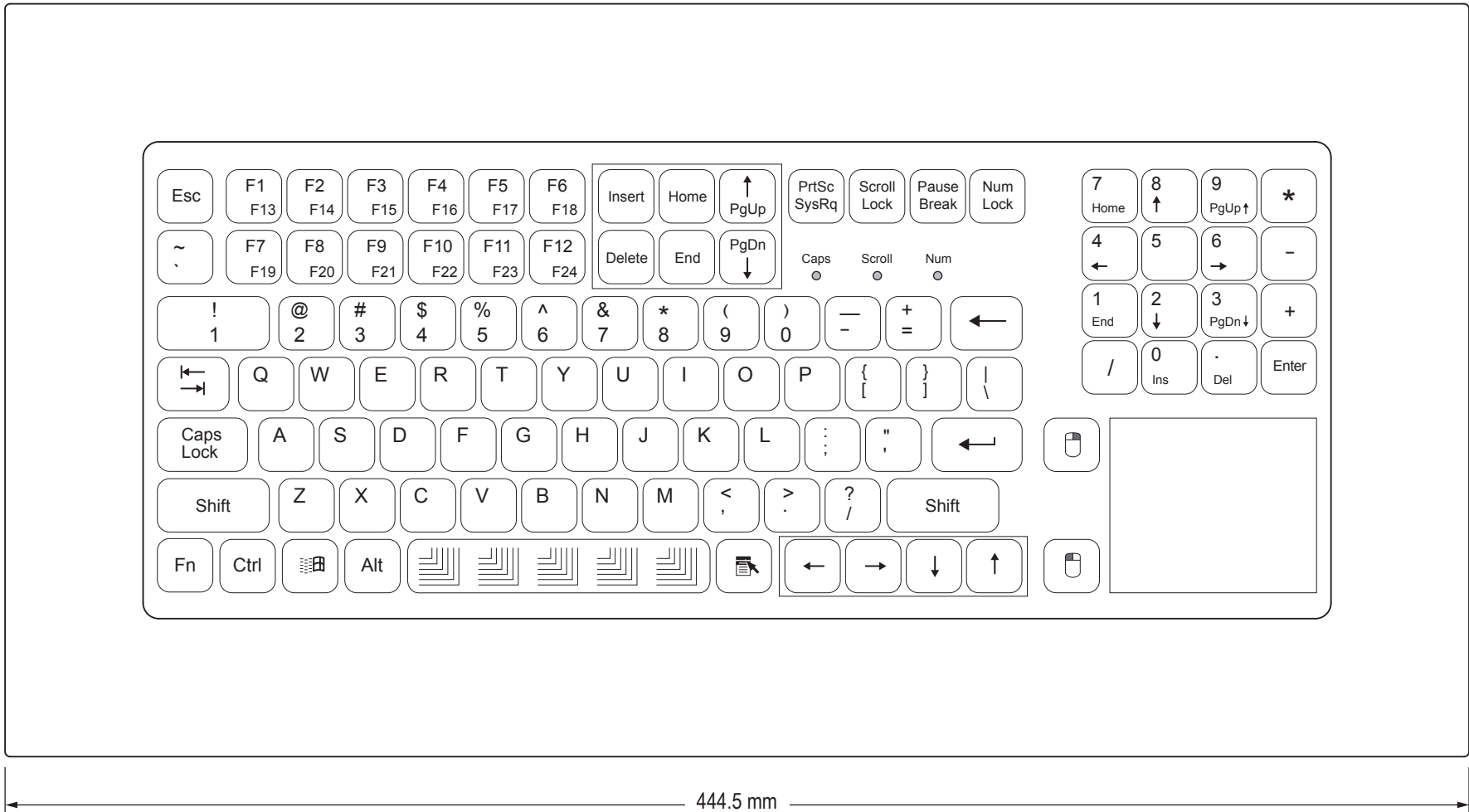


Side View



Detailed Top View Showing Keys (KB-M2-P90 series)

Mechanical Drawing – Flat Panel Mount Keyboard



444.5 mm
(17.50")

228.6 mm
(9.00")

© 2018



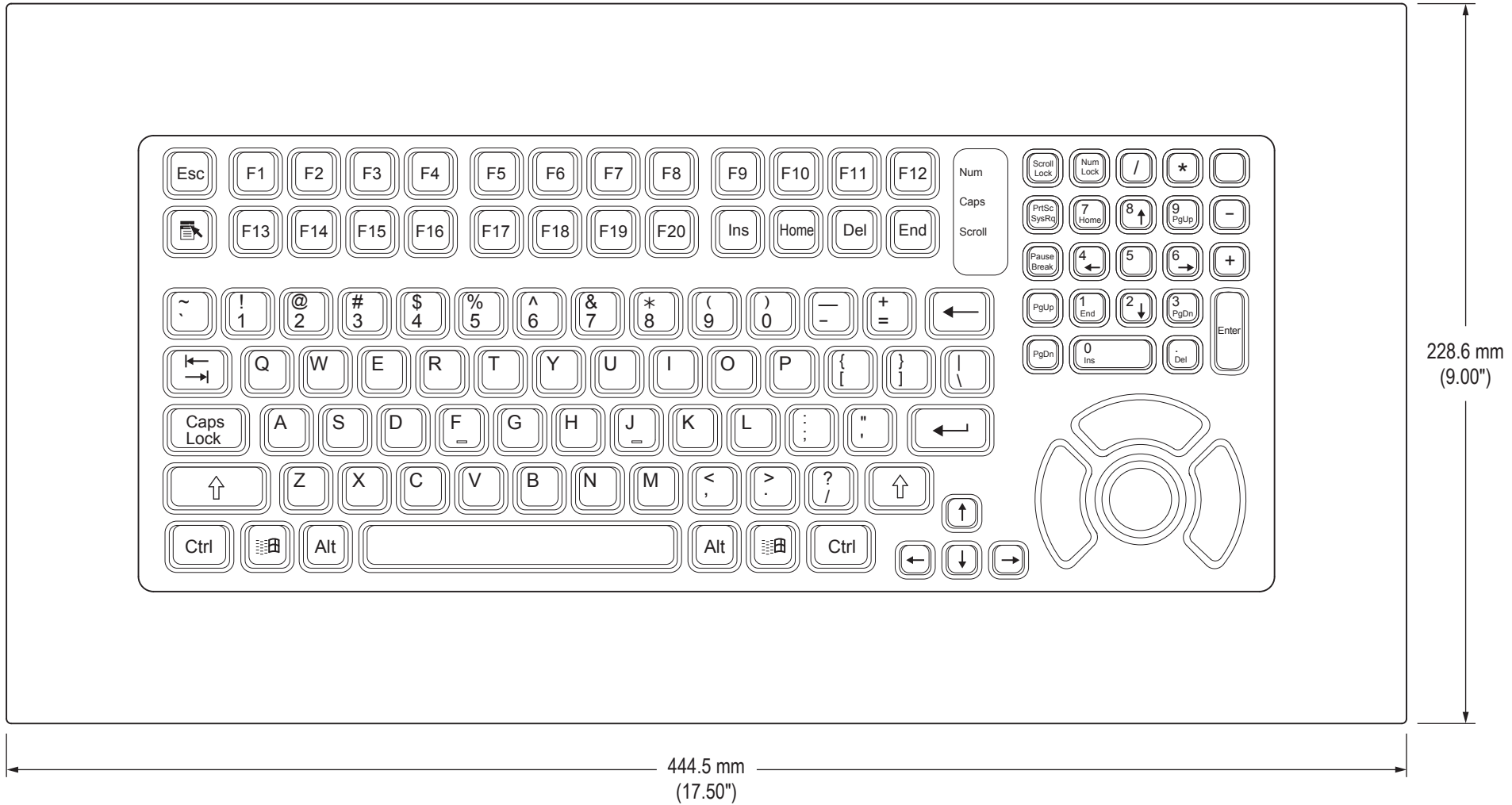
Hope Industrial Systems, Inc.
 Toll Free: (877) 762-9790 · International: +1 (678) 762-9790
 UK: +44 (0) 20 7193 2618 · E-mail: support@HopeIndustrial.com

Part Number: KB-P90 series
 Revision:

Date: 2016.08.25
 Page 2 of 4

NOTES:

Detailed Top View Showing Keys (KB-R2-P90 series)



Detailed Top View Showing Keys (KB-R3-P90 series)

