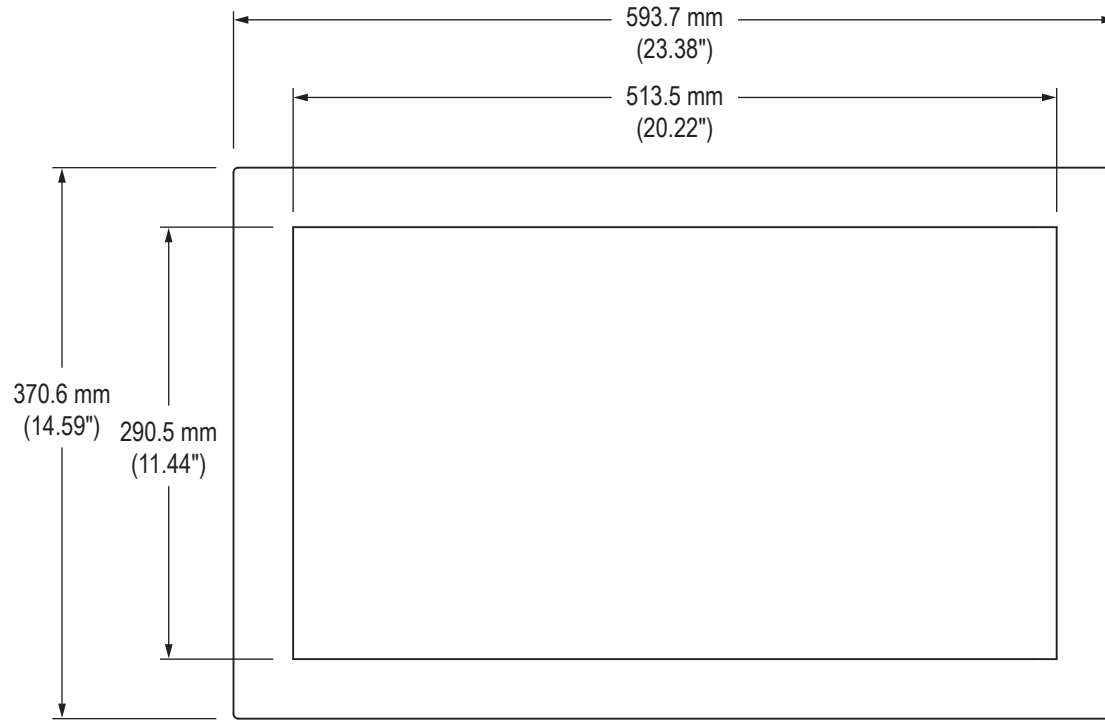
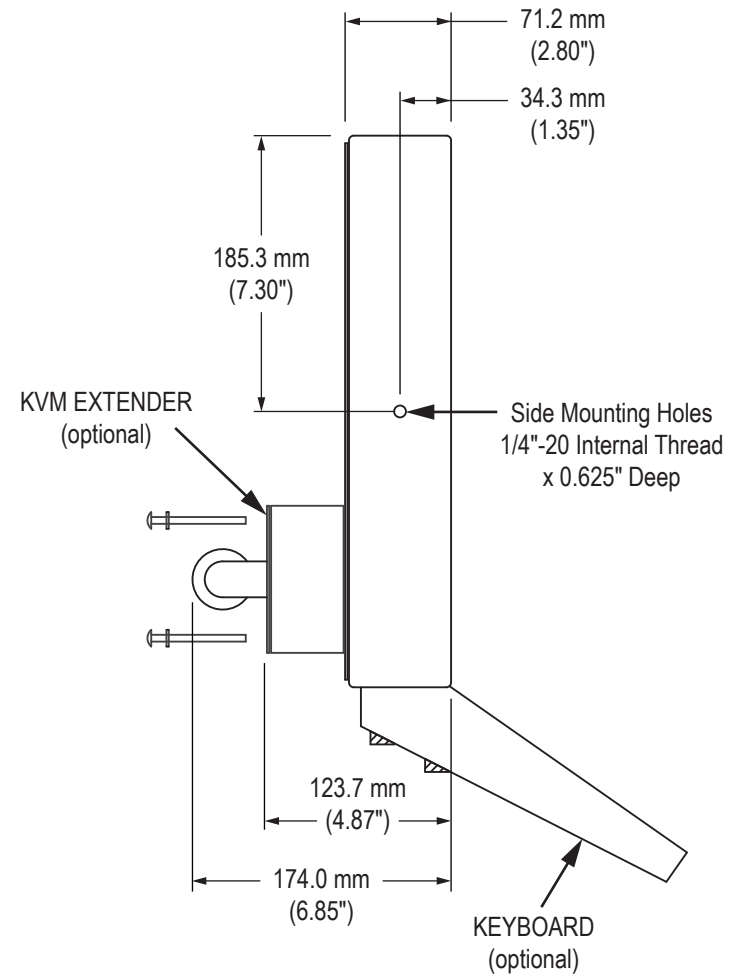


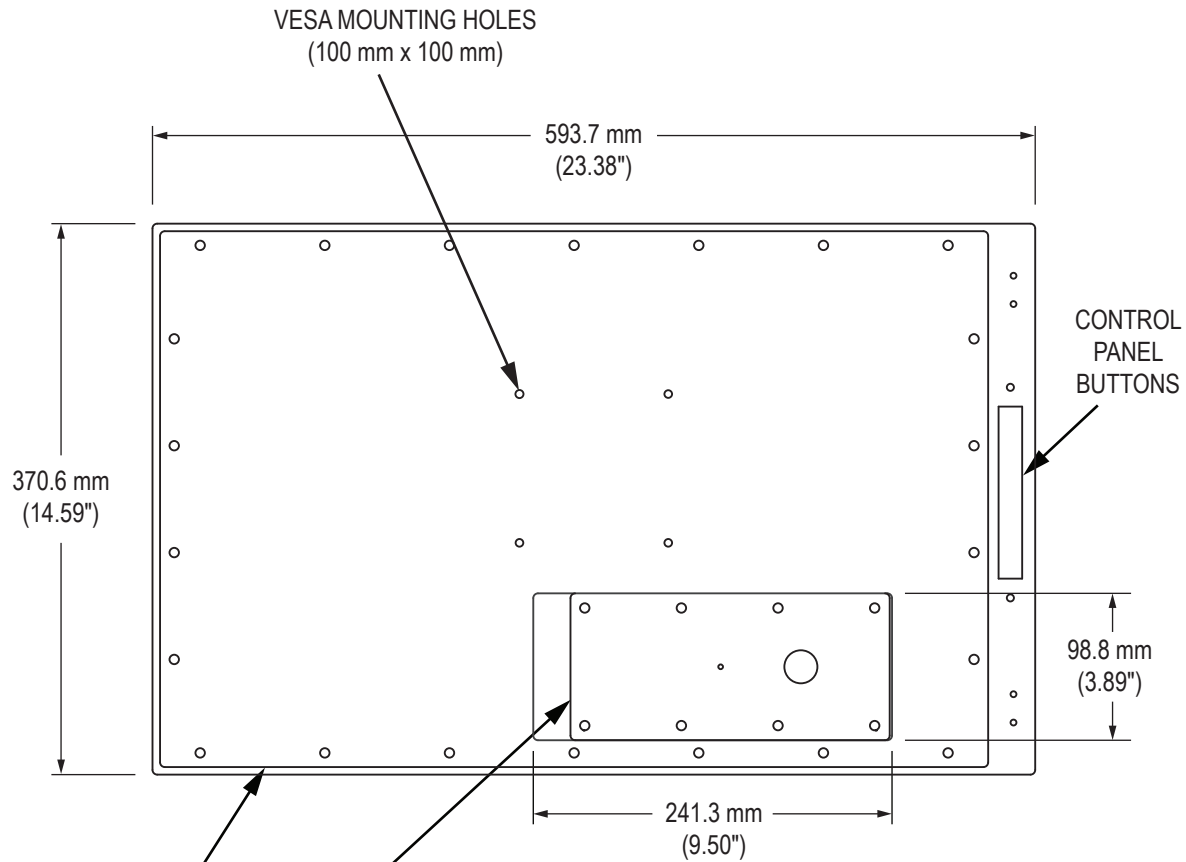
Front View



Side View



Rear View



VESA MOUNTING HOLES
(100 mm x 100 mm)

593.7 mm
(23.38")

370.6 mm
(14.59")

CONTROL
PANEL
BUTTONS

98.8 mm
(3.89")

241.3 mm
(9.50")

REAR PANEL

CABLE ENTRY (4 Models):
 NEMA 2, 12/4, or 12/4/4X Compression Gland
 NEMA 12/4 or 12/4/4X Conduit Cable Exit
 NEMA 12/4 or 12/4/4X PermaGland
 NEMA 12/4 or 12/4/4X Cover Plate with Pilot Hole

