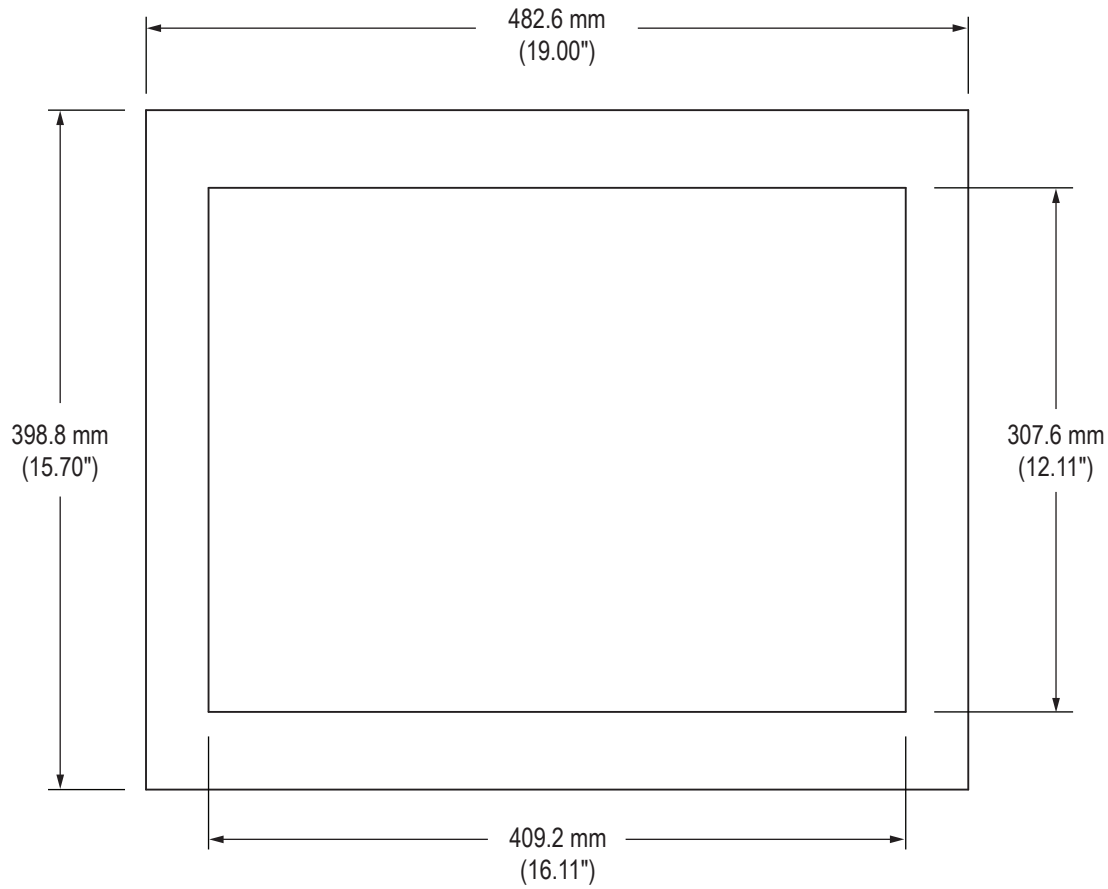
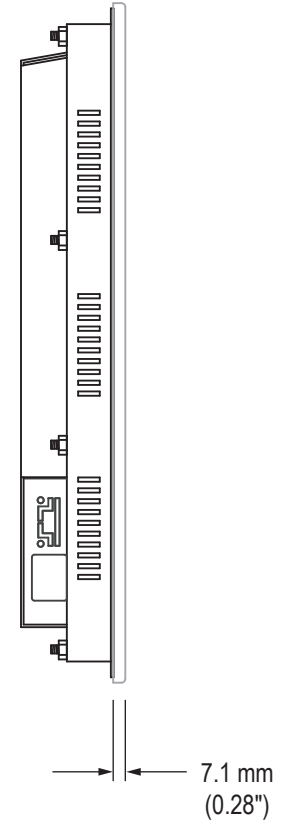


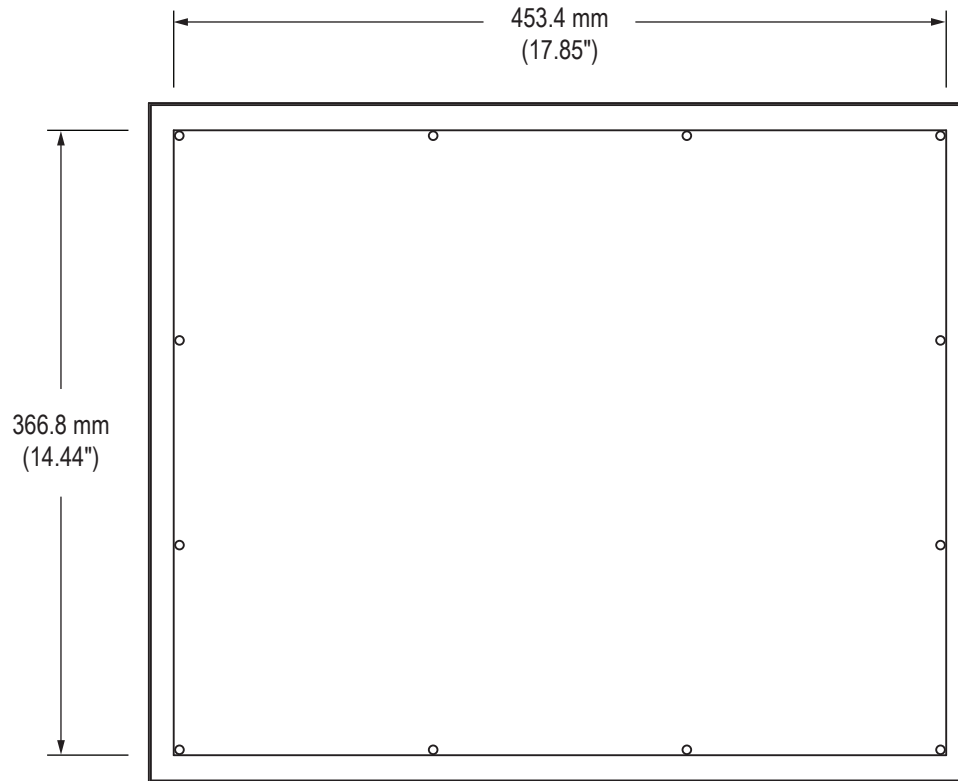
Front View



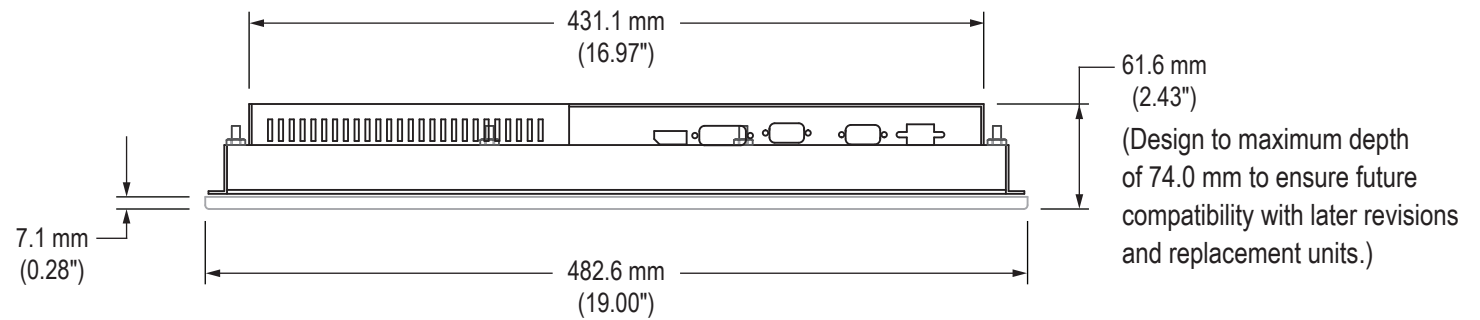
Side View



Rear View (showing Cutout Dimensions)



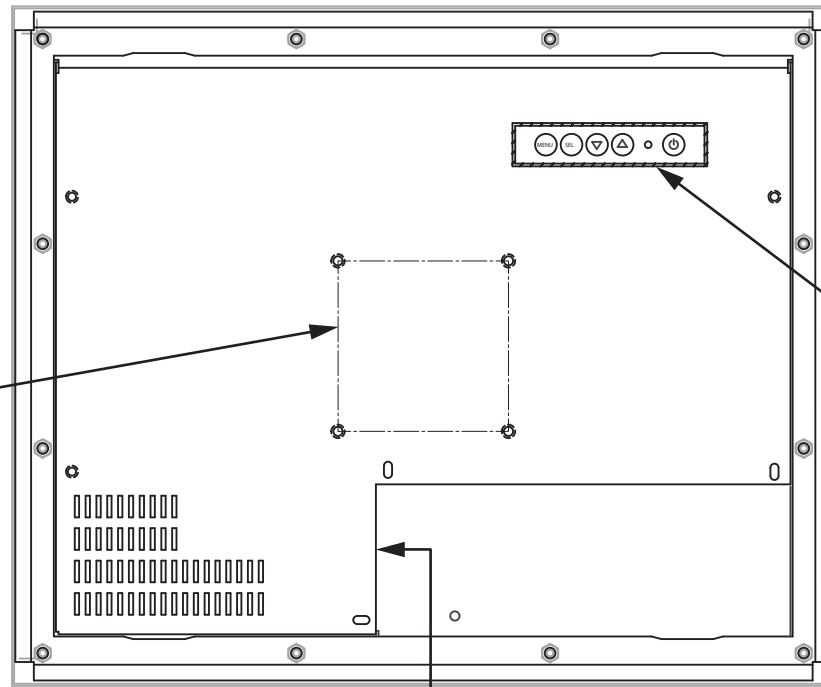
Bottom View



Cable Connections

Rear View

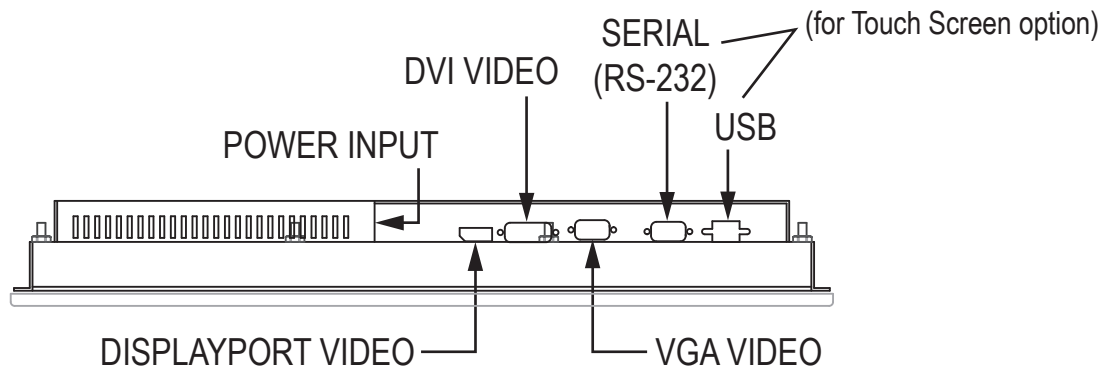
100 mm VESA
Mounting Pattern
(M4 screws provided,
16 mm maximum
depth of screw)



CONTROL PANEL
BUTTONS

POWER INPUT

Bottom View

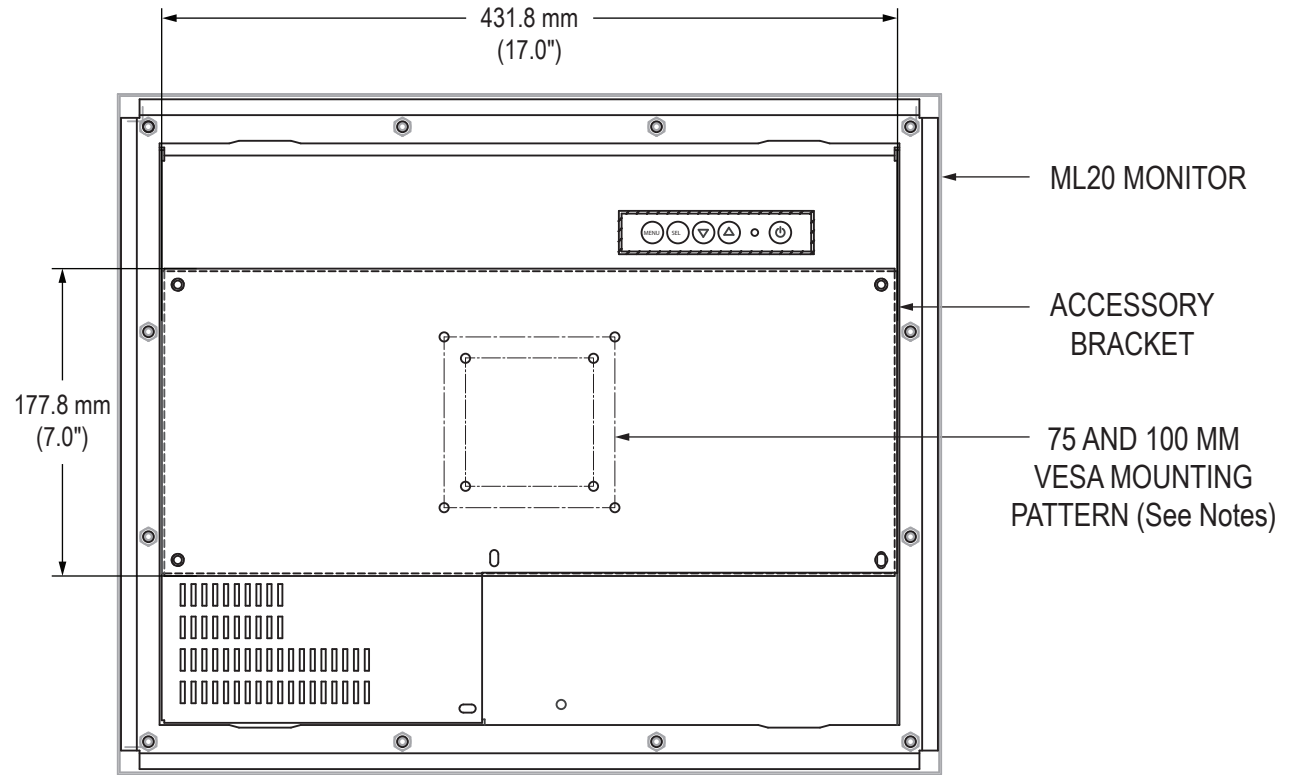


DISPLAYPORT VIDEO

VGA VIDEO

VB-20A Accessory Mounting Bracket

Rear View



Bottom View

