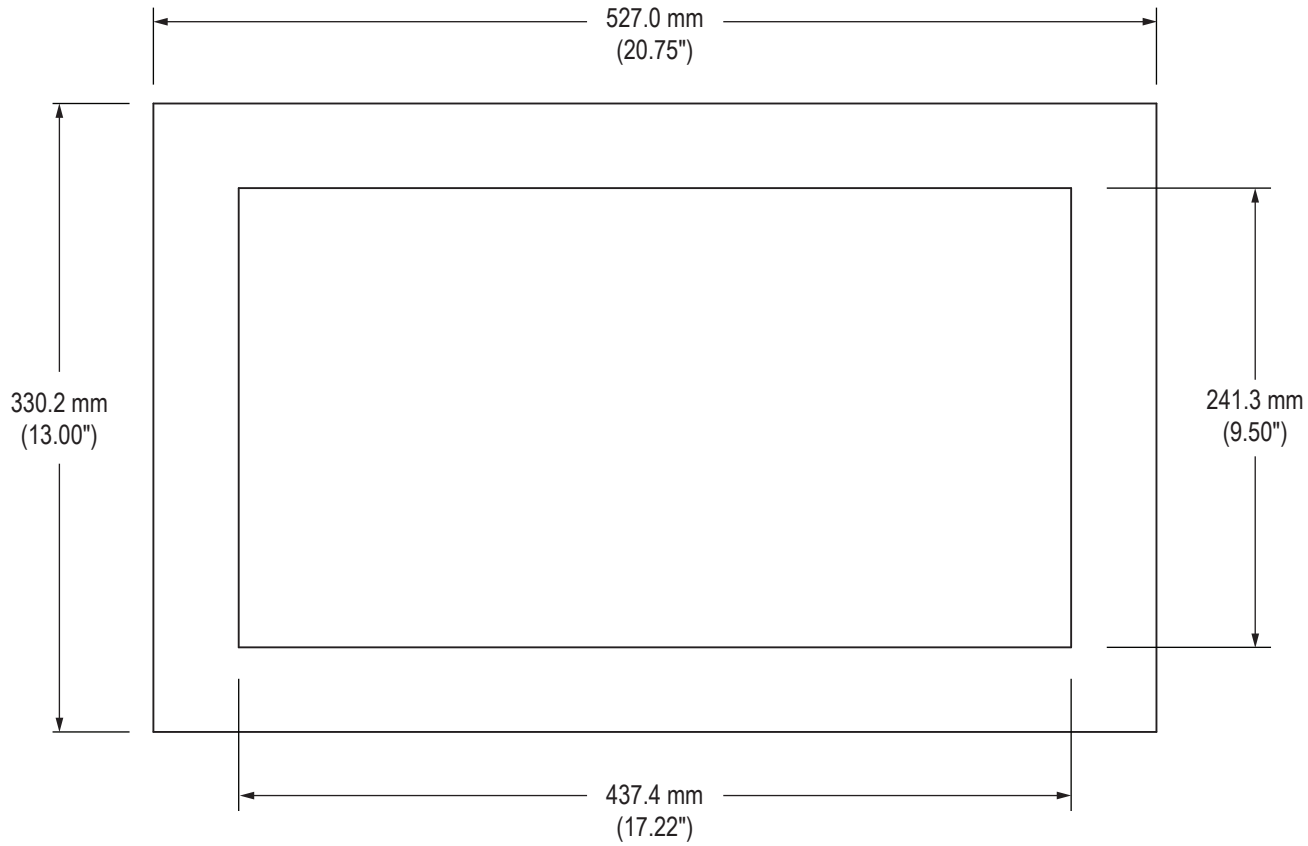
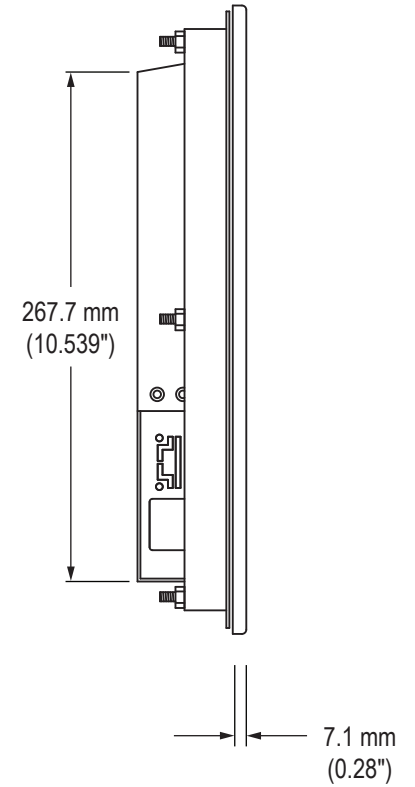


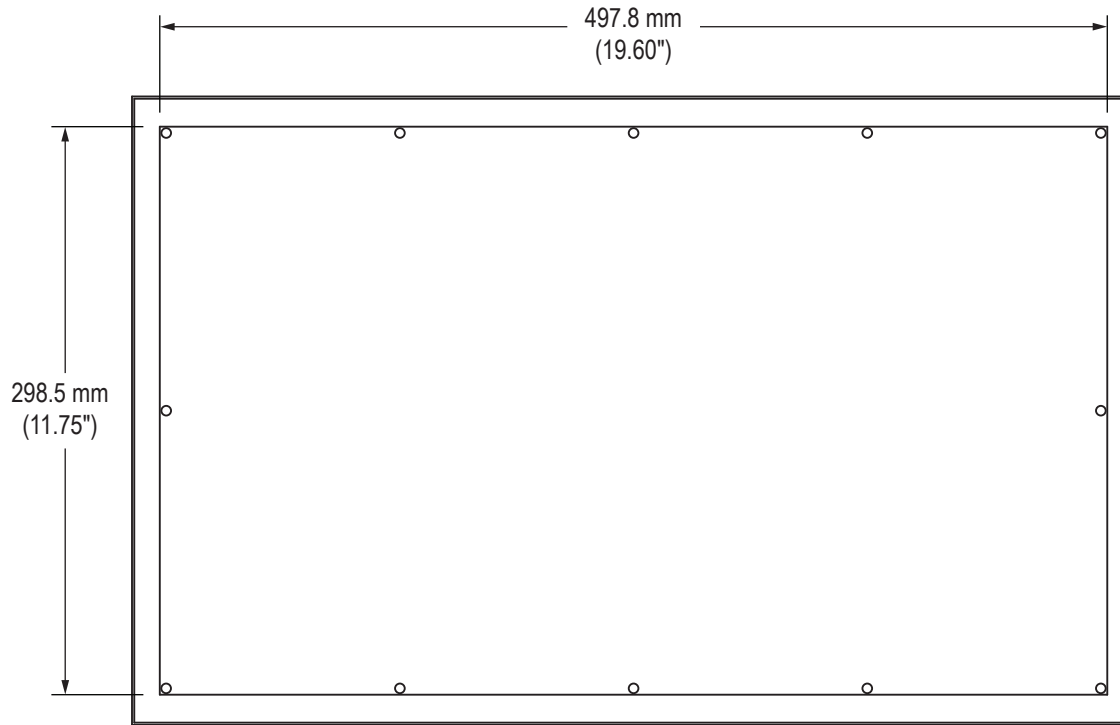
Front View



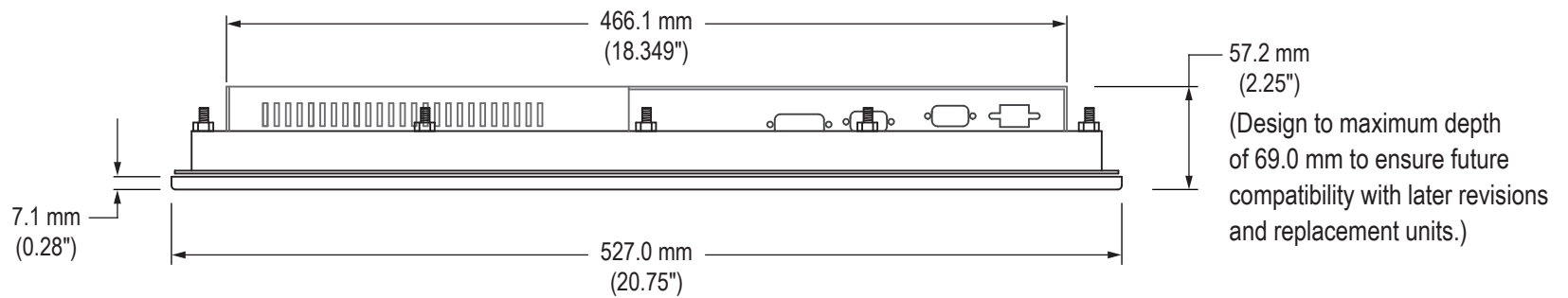
Side View



Rear View (showing Cutout Dimensions)

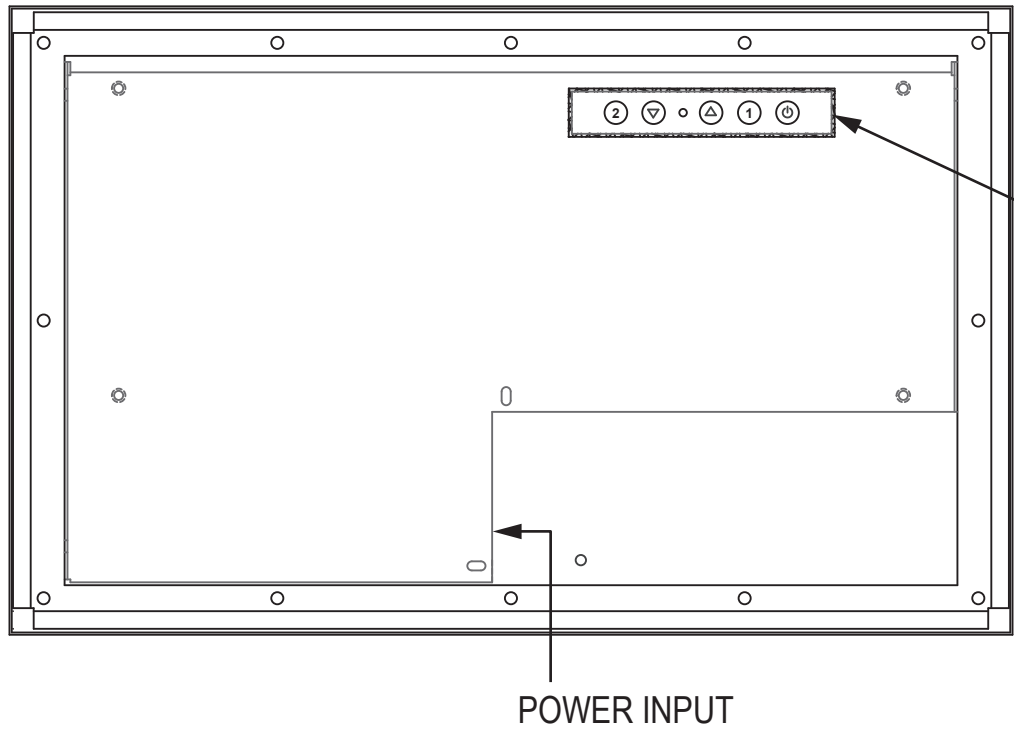


Bottom View



Cable Connections

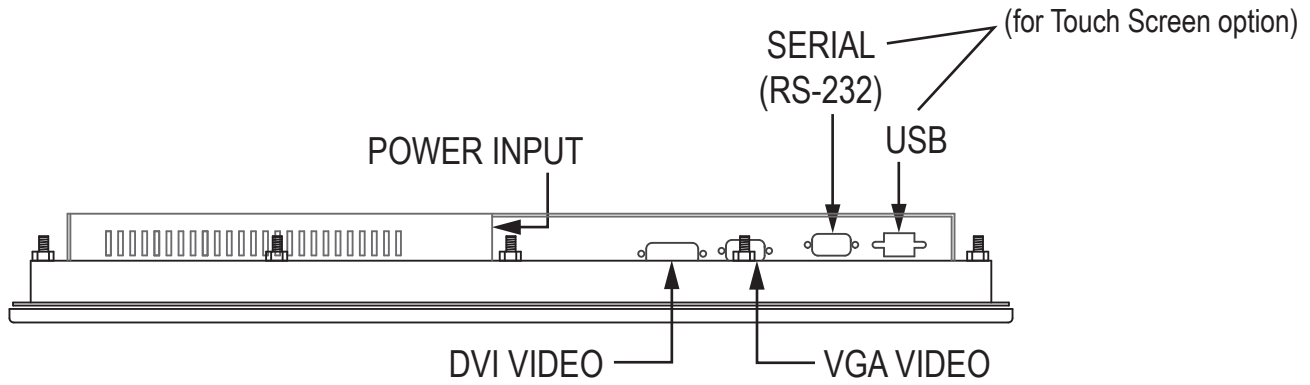
Rear View



CONTROL PANEL
BUTTONS

POWER INPUT

Bottom View



SERIAL (RS-232) (for Touch Screen option)

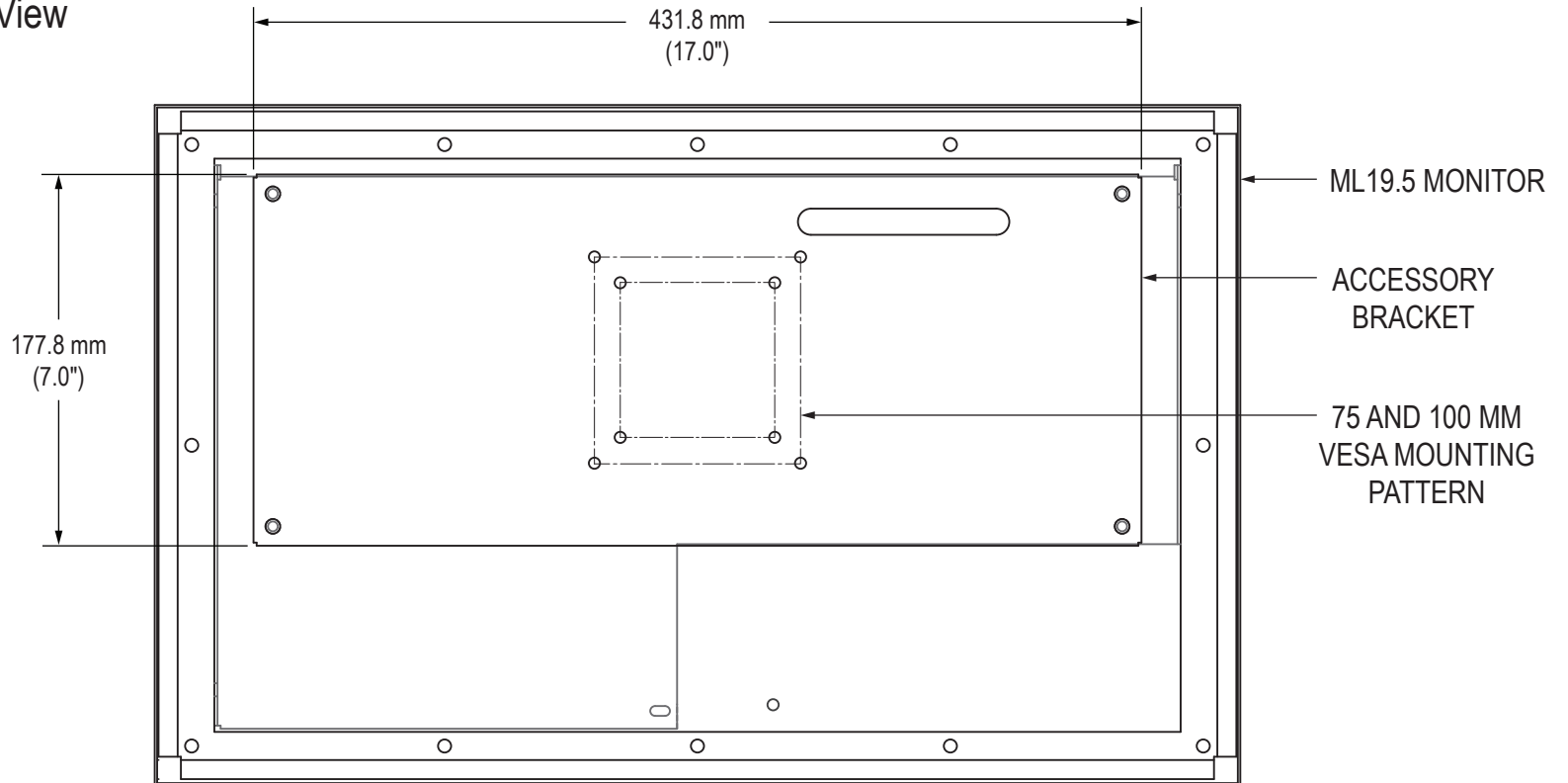
POWER INPUT

DVI VIDEO

VGA VIDEO

VB-20A Accessory Mounting Bracket

Rear View



Bottom View

