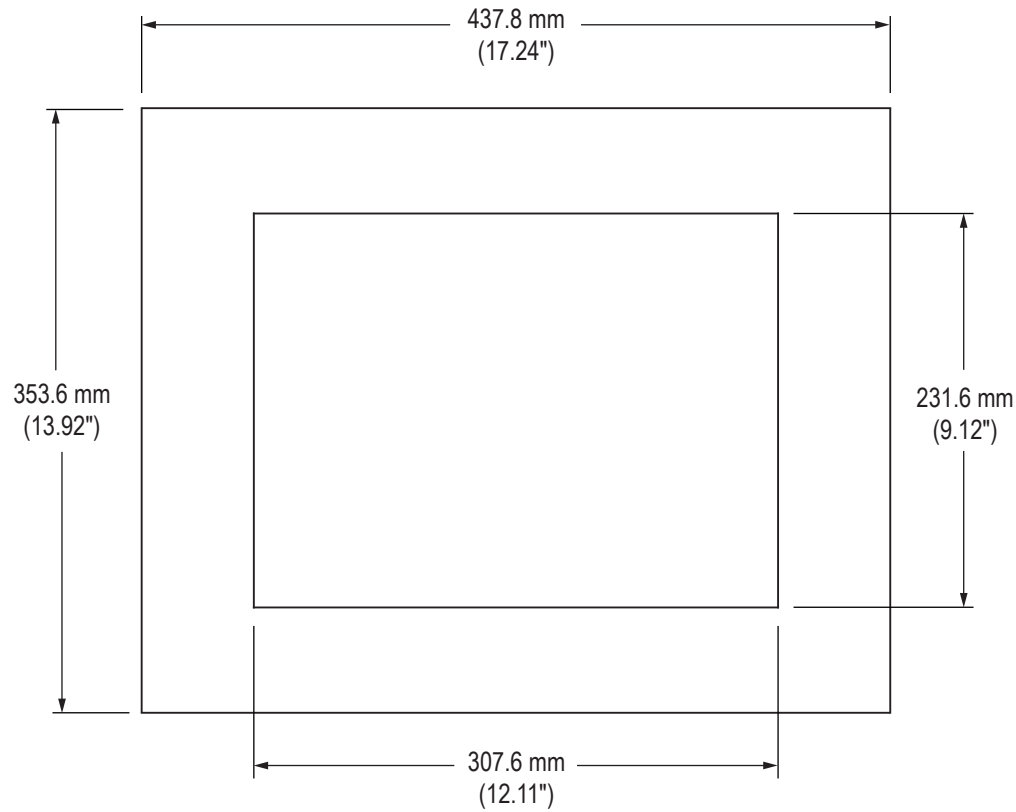
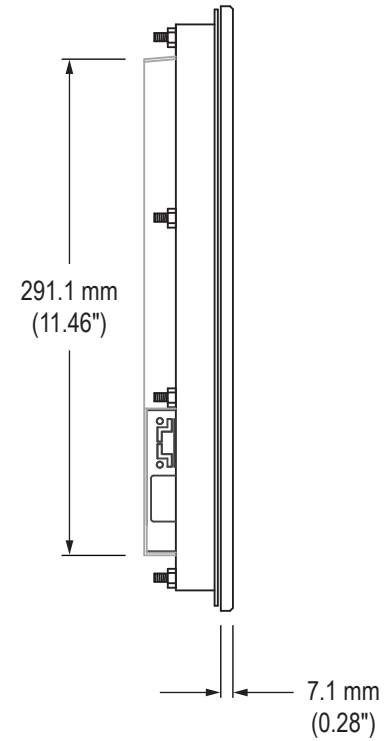


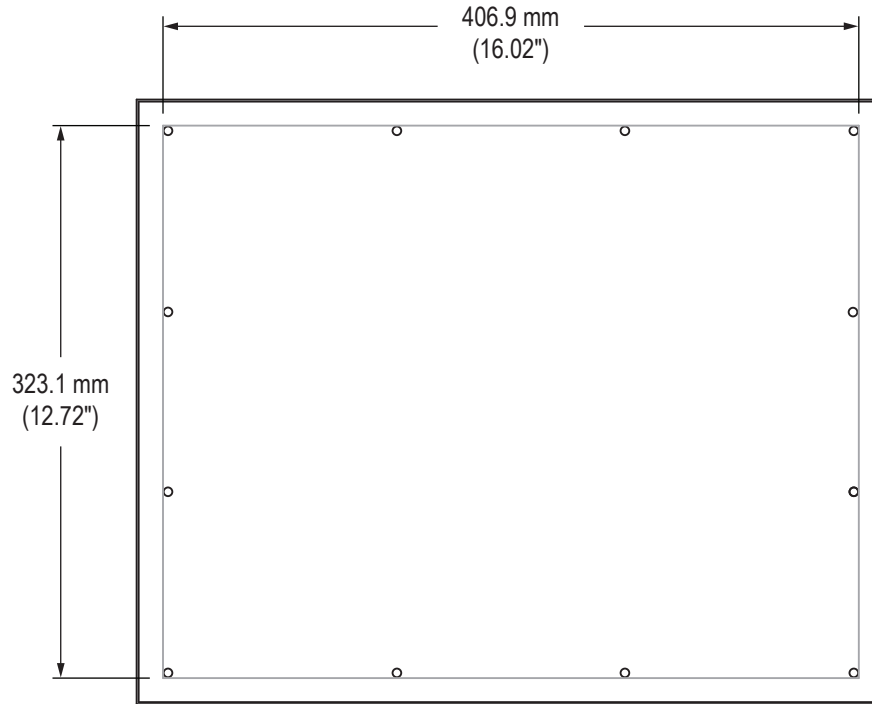
Front View



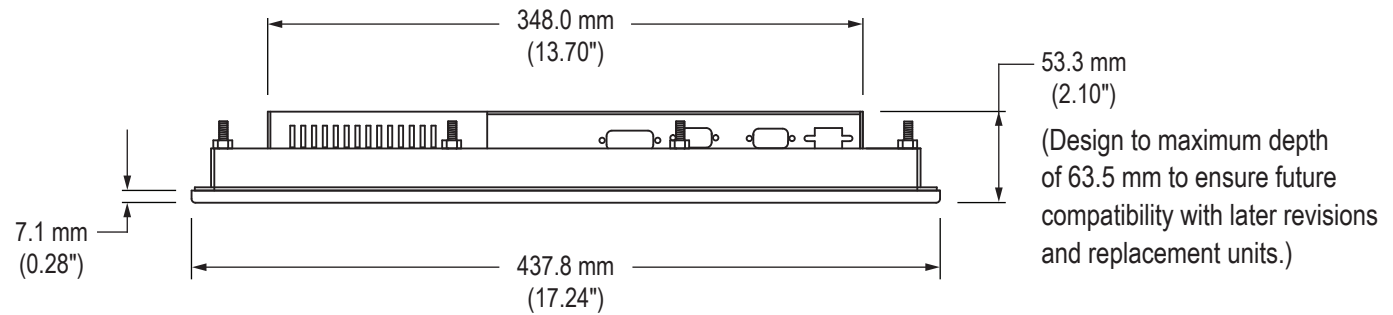
Side View



Rear View (showing Cutout Dimensions)



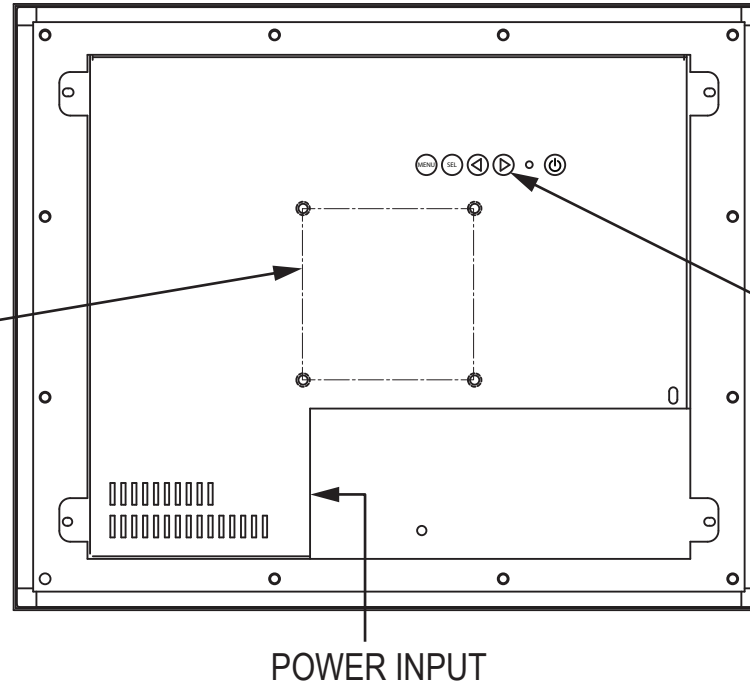
Bottom View



Cable Connections

Rear View

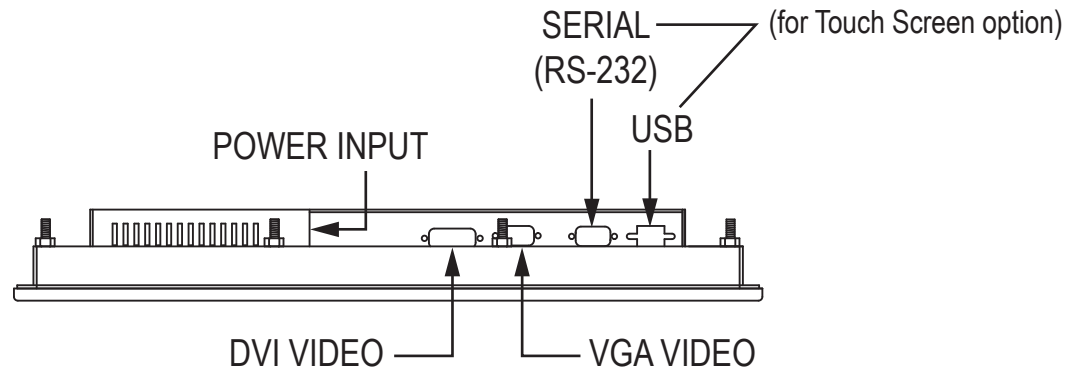
100 mm VESA
MOUNTING PATTERN
(M4 SCREWS PROVIDED,
16 mm MAXIMUM DEPTH
OF SCREW)



CONTROL PANEL
BUTTONS

POWER INPUT

Bottom View



POWER INPUT

SERIAL (RS-232) (for Touch Screen option)

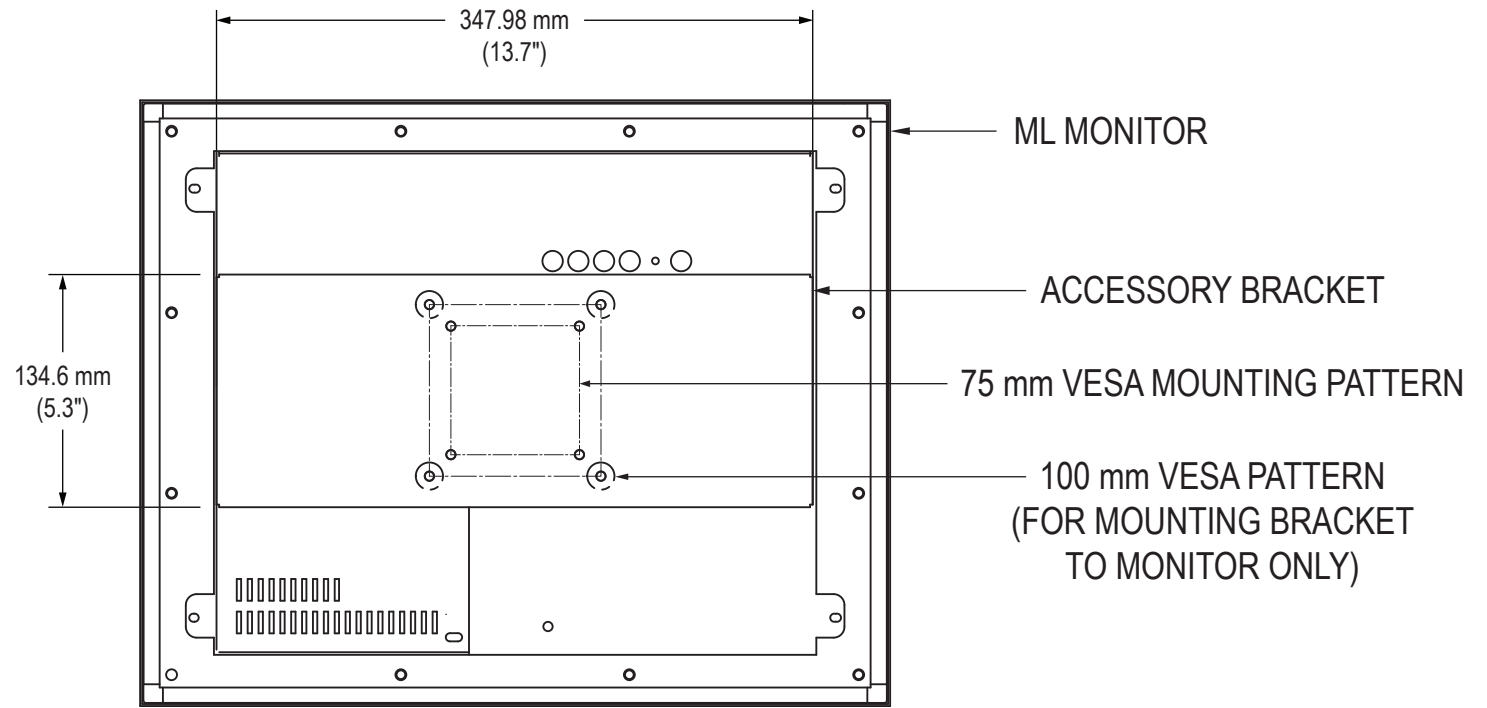
USB

DVI VIDEO

VGA VIDEO

VB-1517-01 Accessory Mounting Bracket

Rear View



Bottom View

