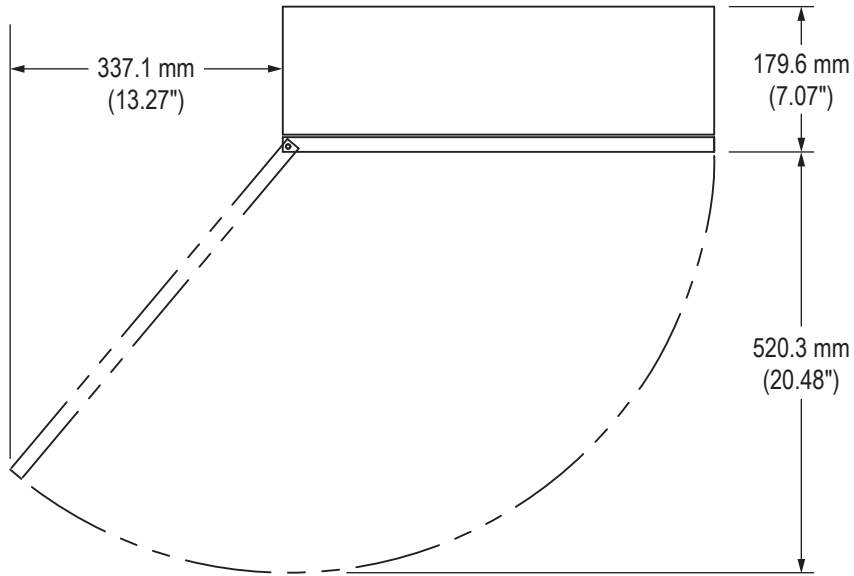
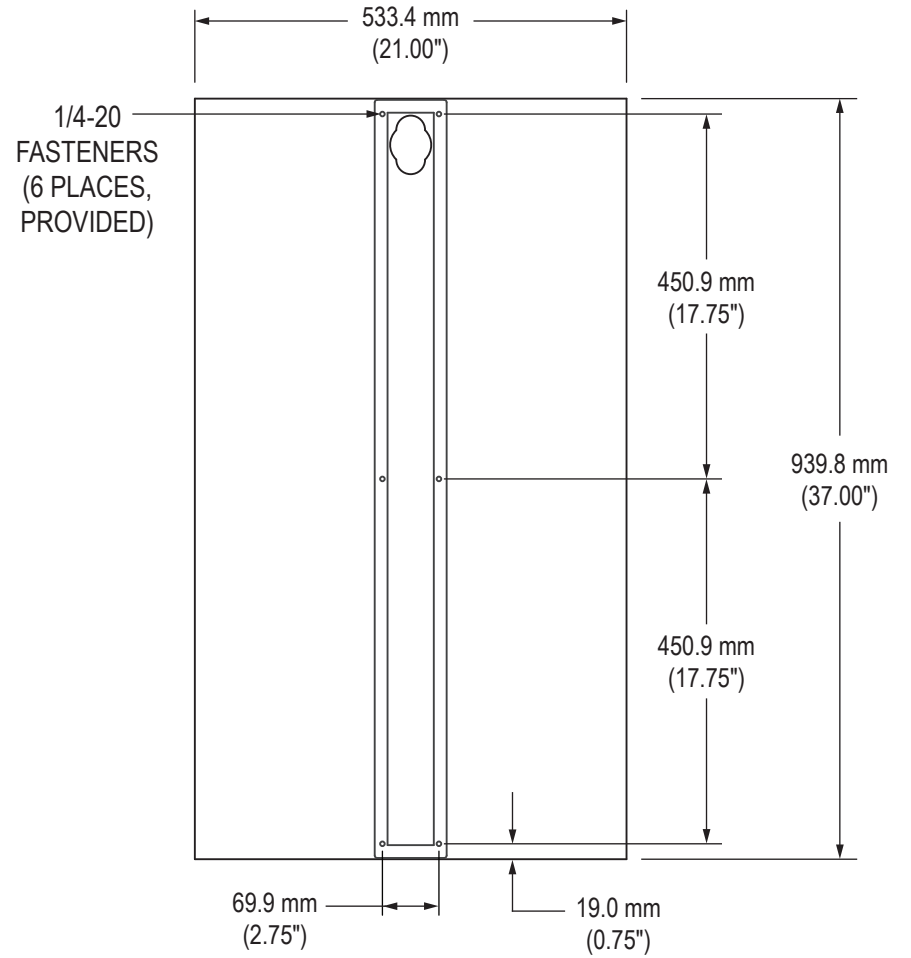


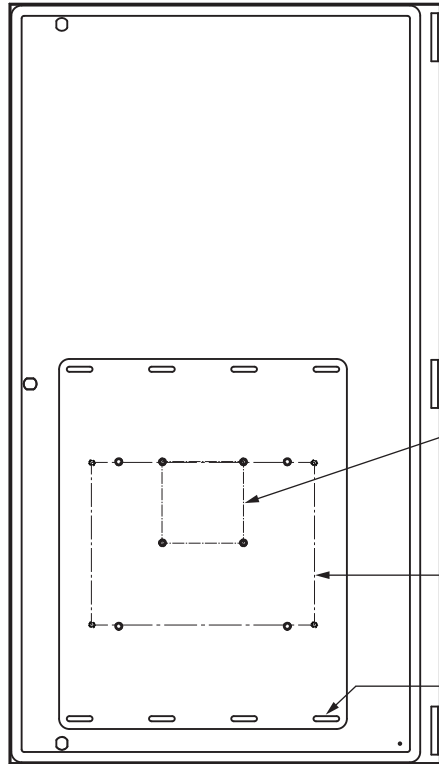
Top View (showing clearance required for door)



Rear View

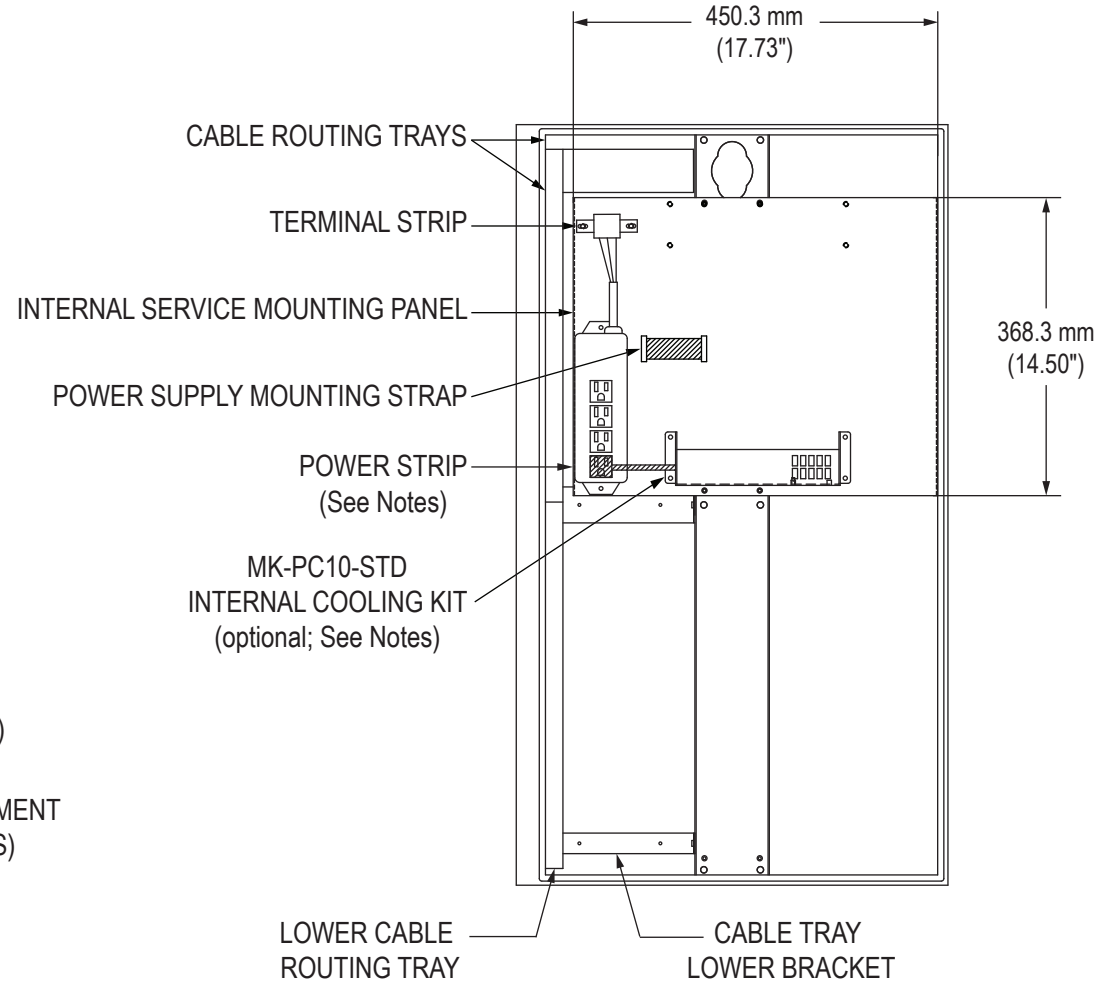


Inside View of Access Door

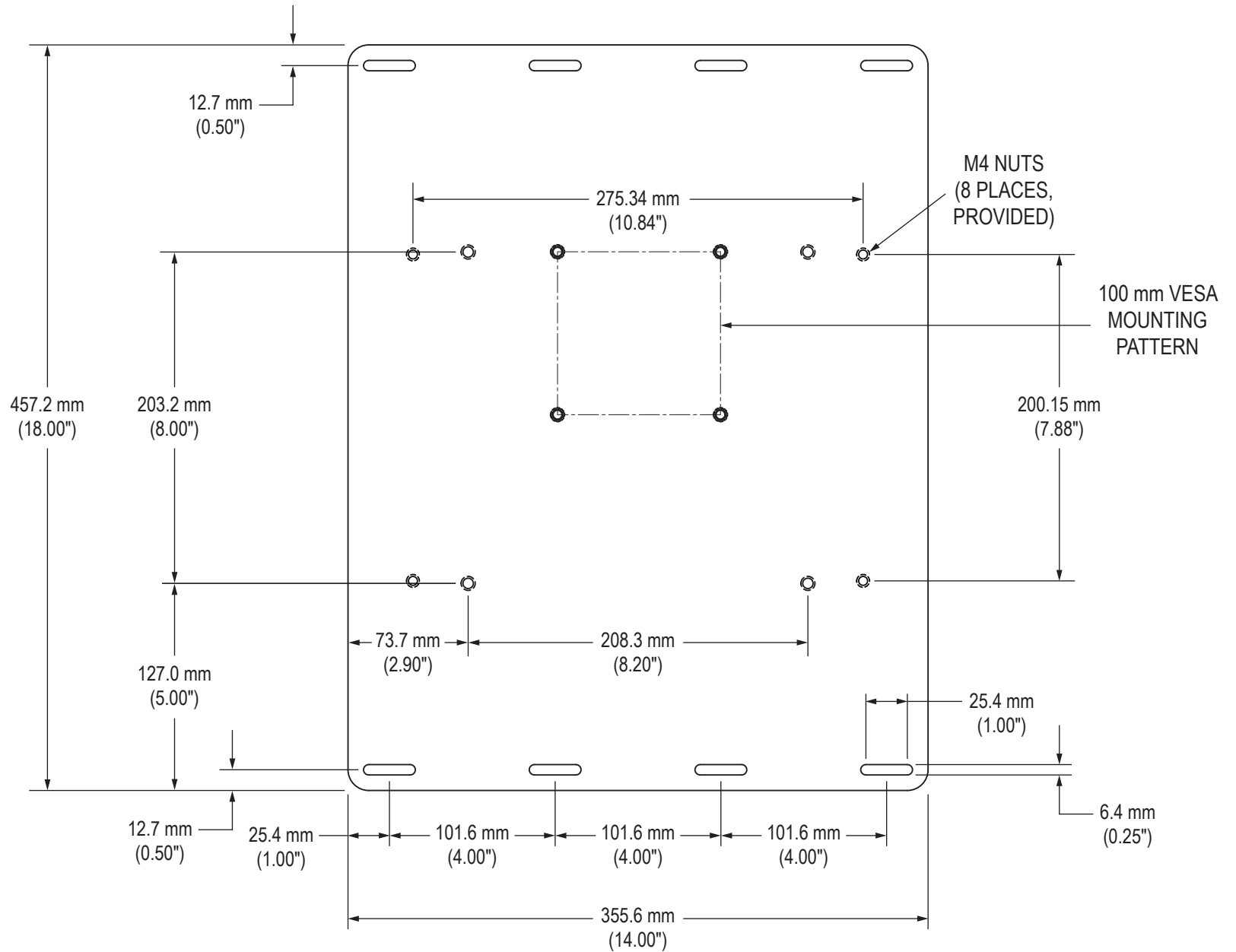


- 100 mm VESA MOUNTING PATTERN
- DELL BOX PC 5000 MOUNT POINTS (USE DELL 575-BBKC MOUNTING BRACKET)
- LEFT/RIGHT ADJUSTMENT SLOTS (8 PLACES)

Inside View of Enclosure

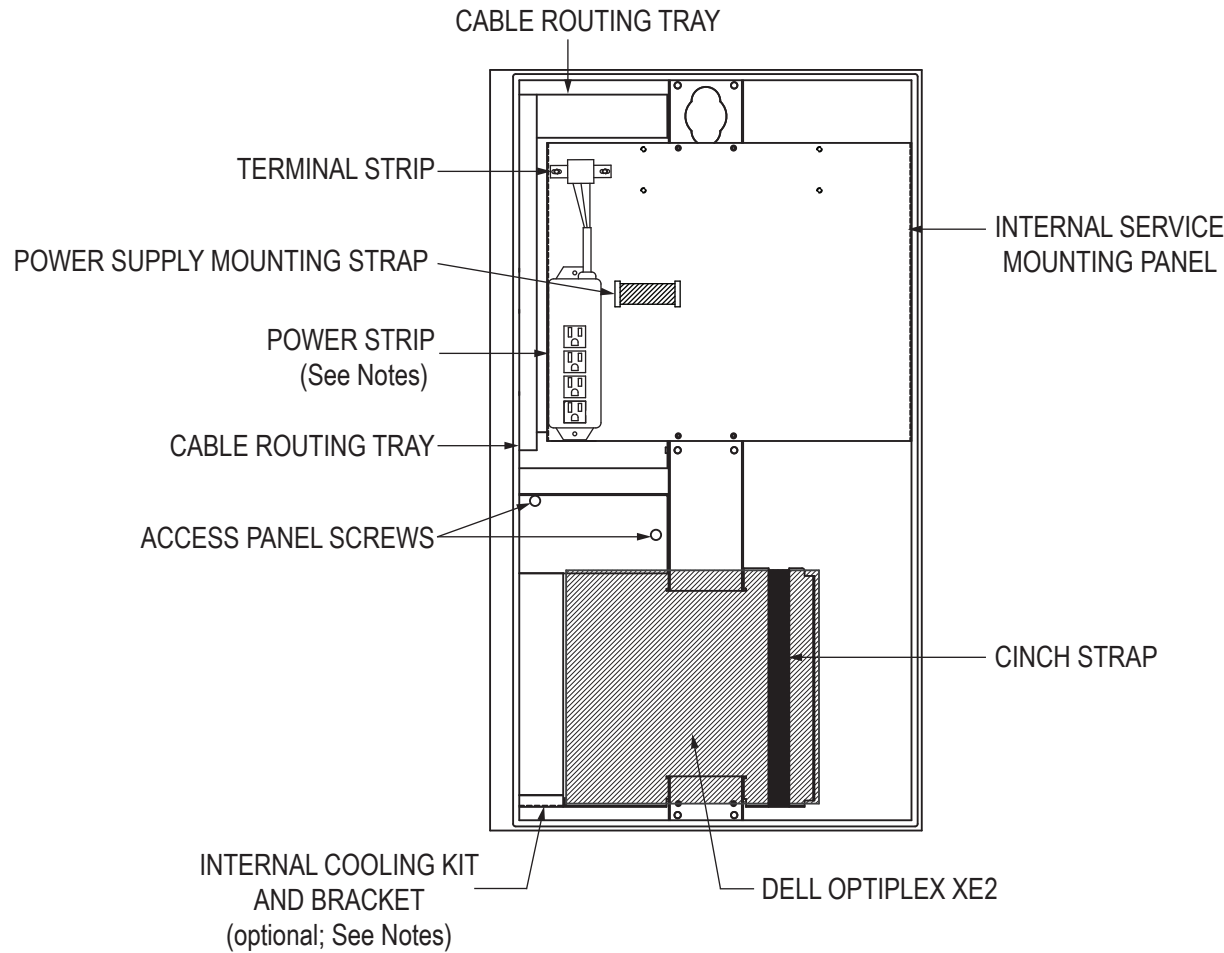


Close-up showing measurements of Access Door Mounting Bracket



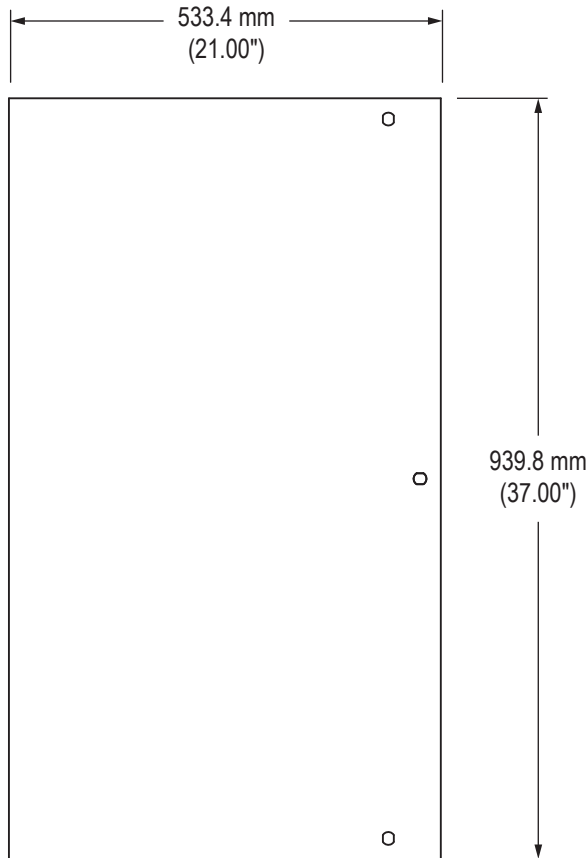
DELL OPTIPLEX XE2 FAN KIT (MK-PC10-DELLXE2)

Inside View of Enclosure

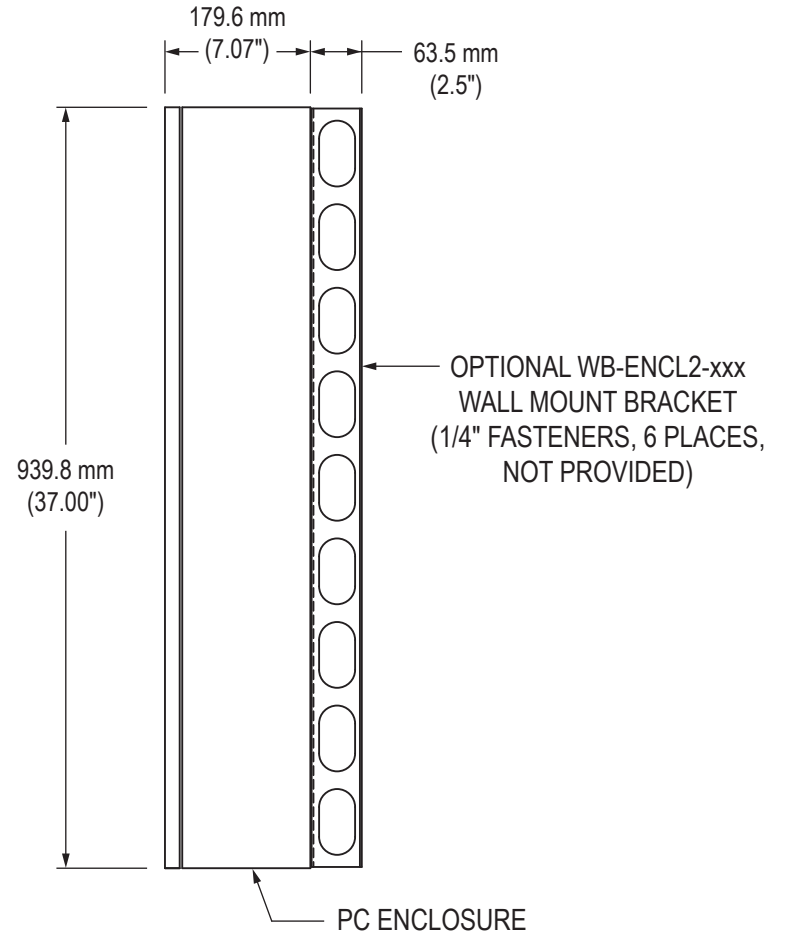


WALL MOUNTING BRACKET

Front View of Enclosure

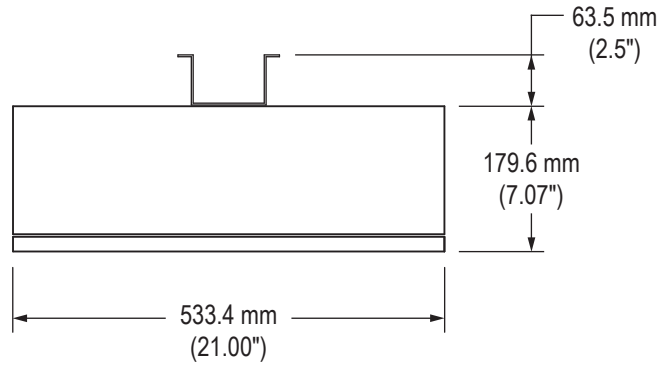


Side View

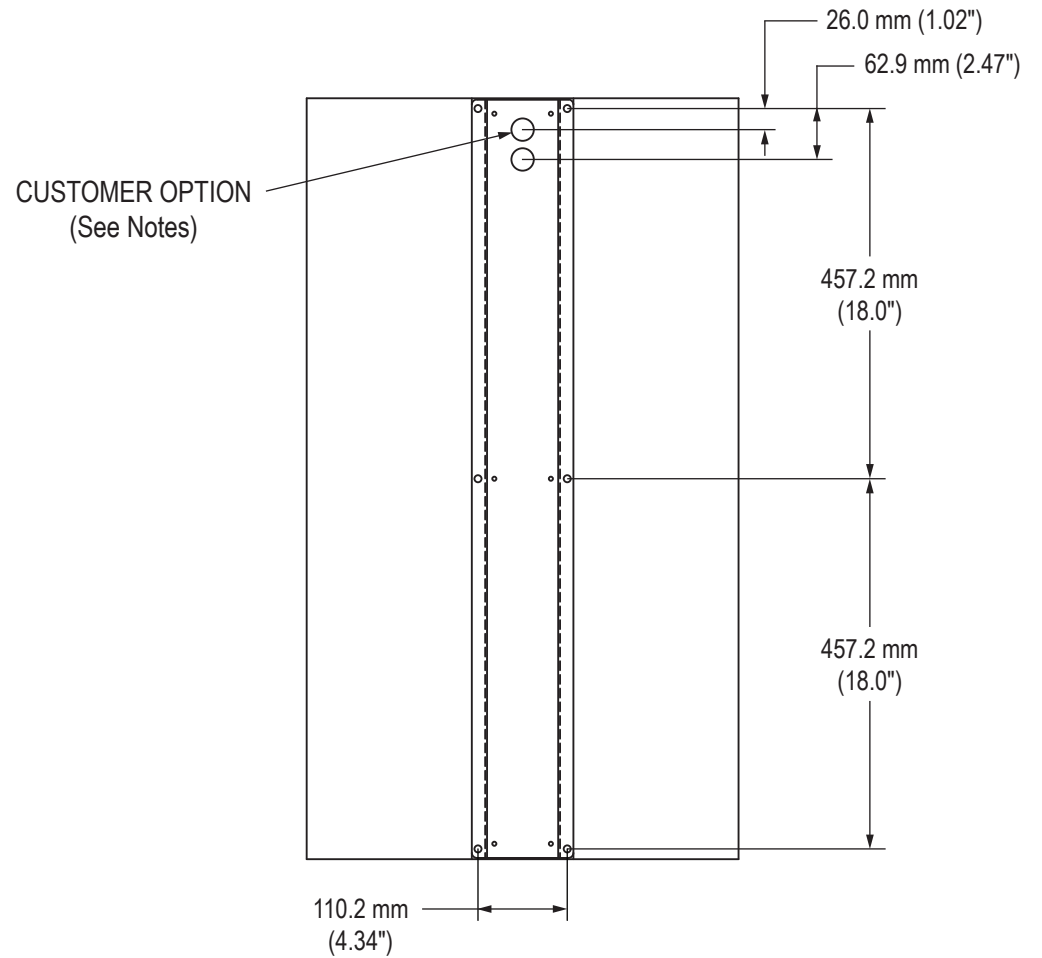


WALL MOUNTING BRACKET

Top View

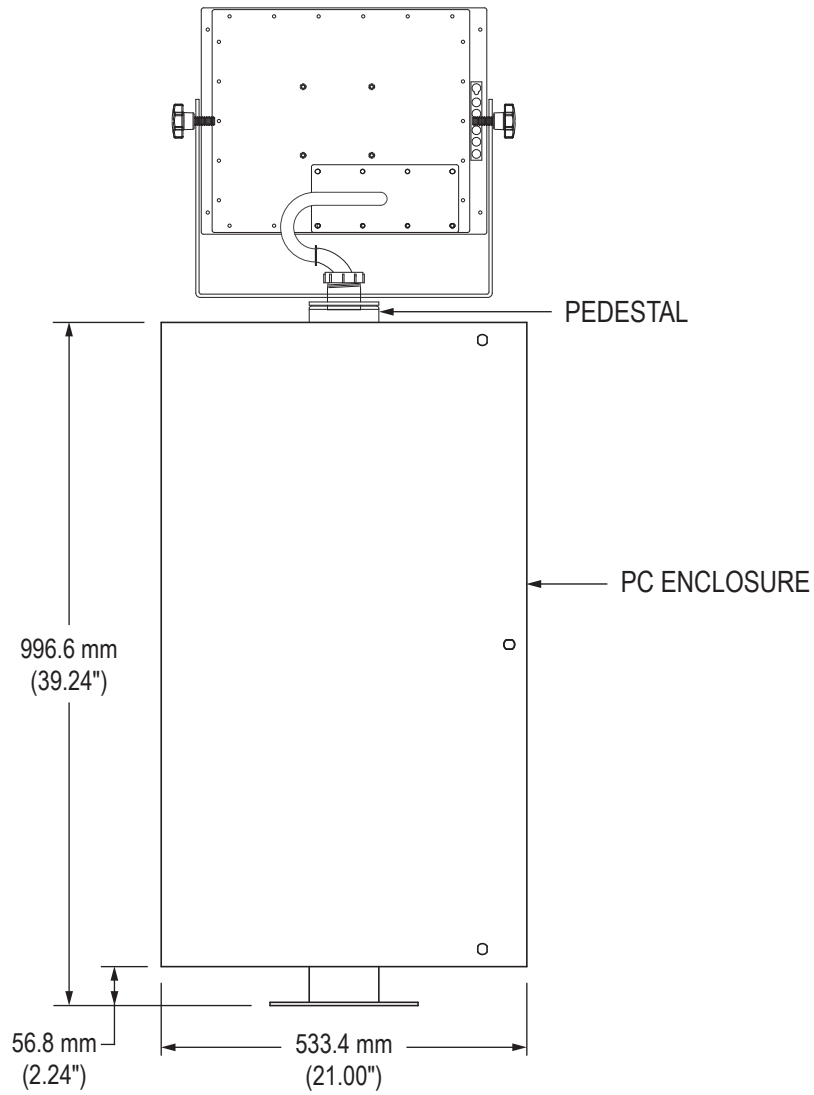


Rear View



MOUNTED ON PED4X4

Rear View



Side View

