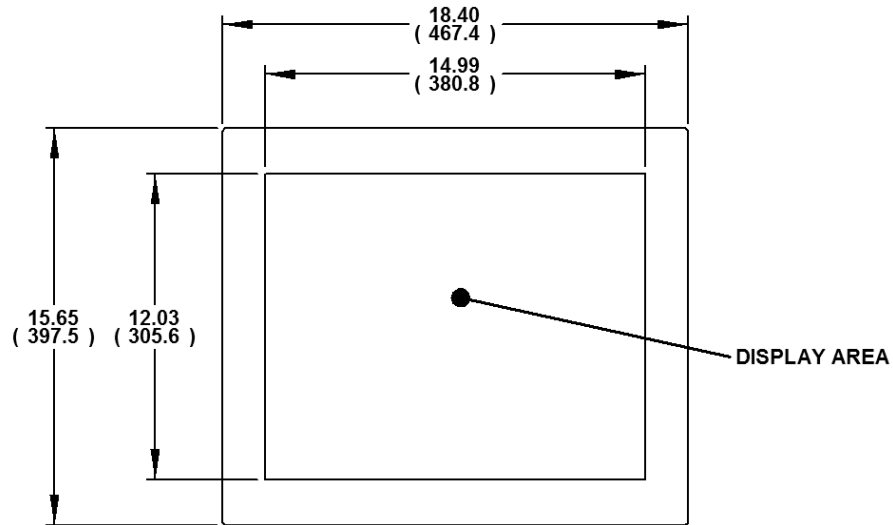


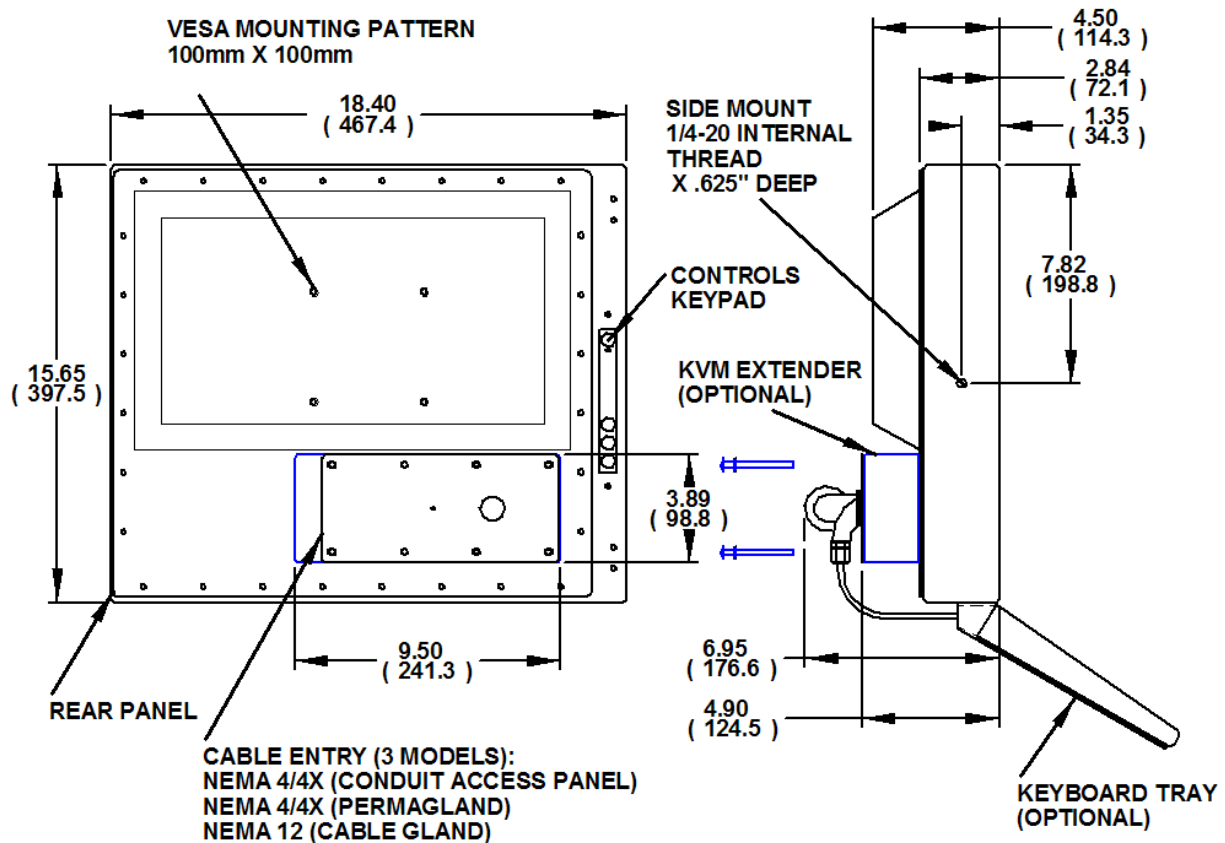
# Envelope Drawings

## 19" Universal Mount Industrial Monitors

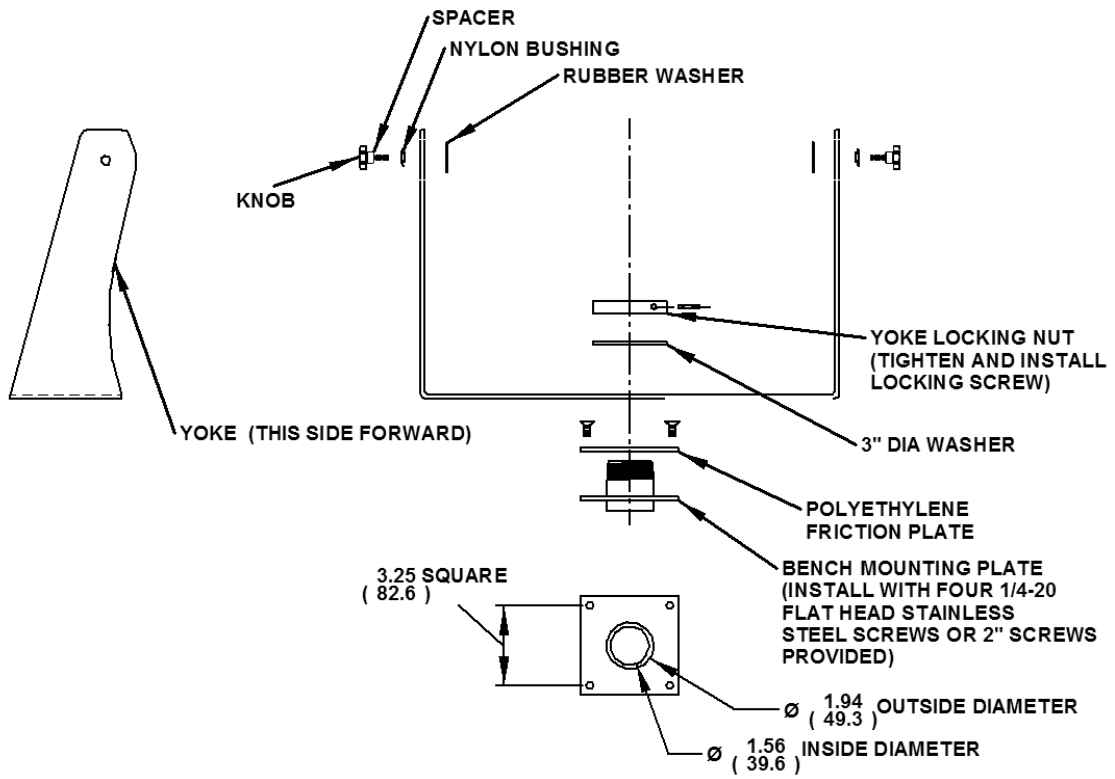
### Front View



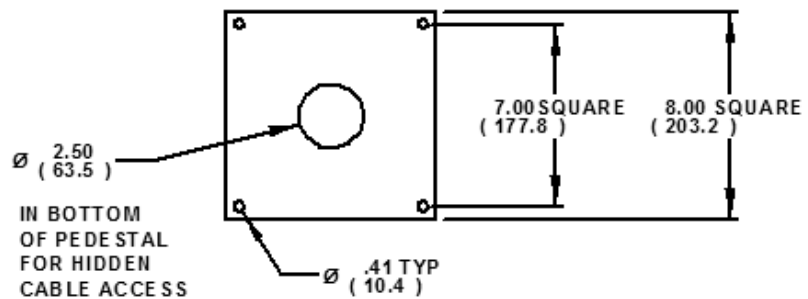
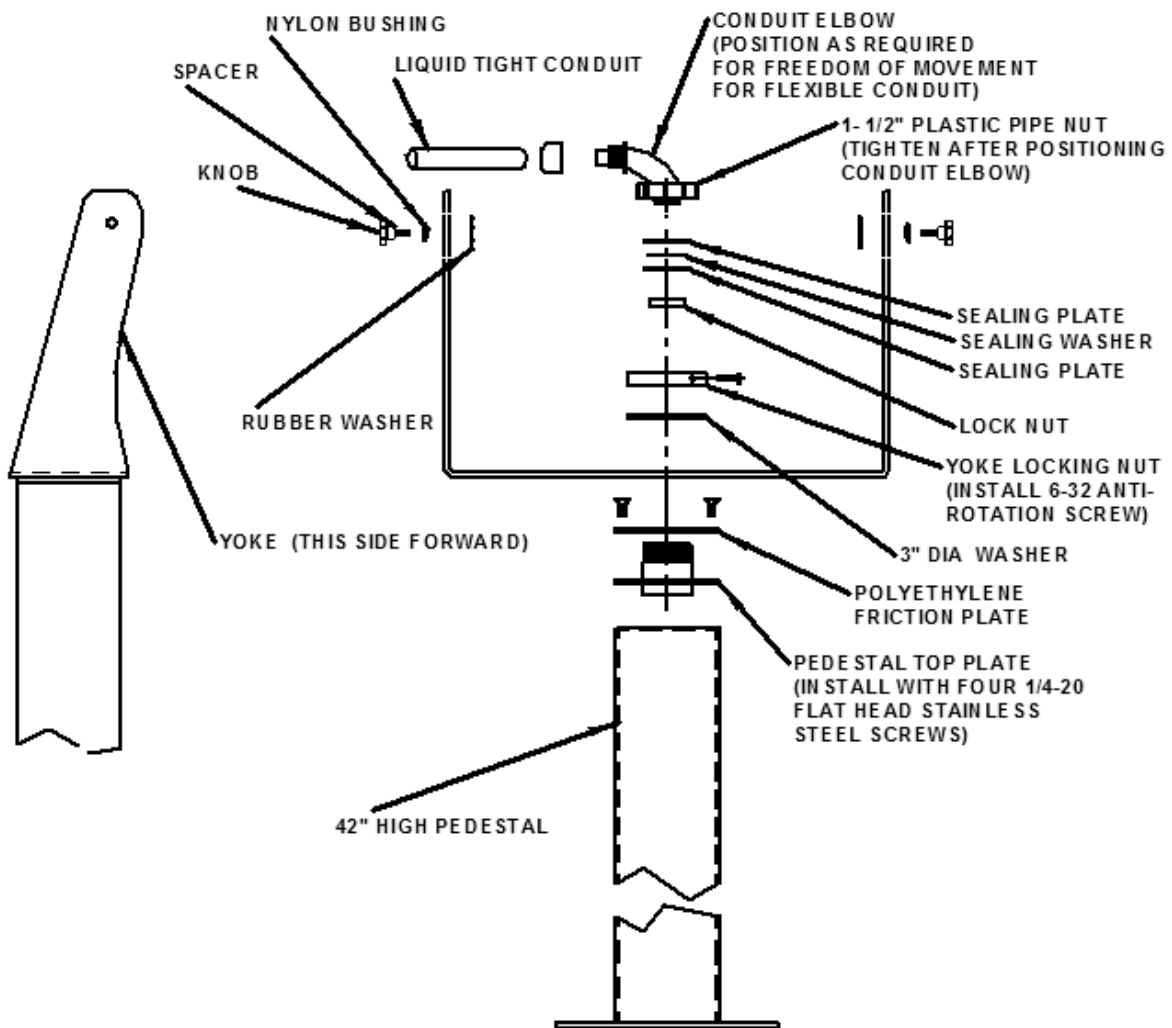
### Side and Rear View



# Benchtop Mounting Kit



# Yoke and Pedestal Mount



# Fixed Pedestal Mount

