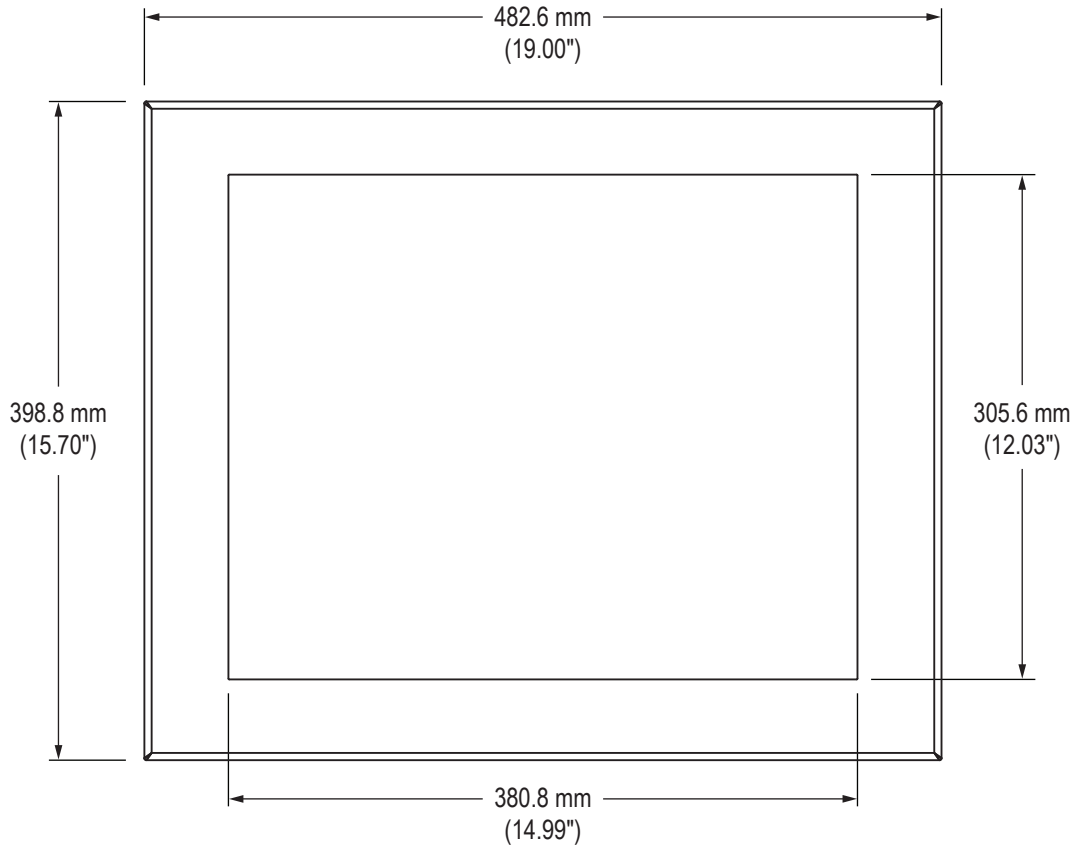
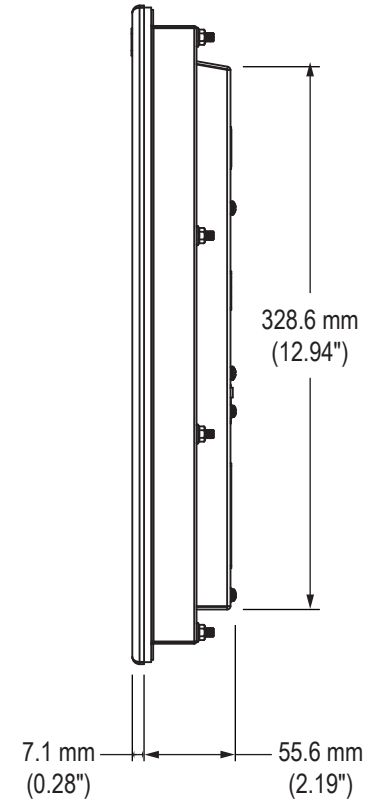


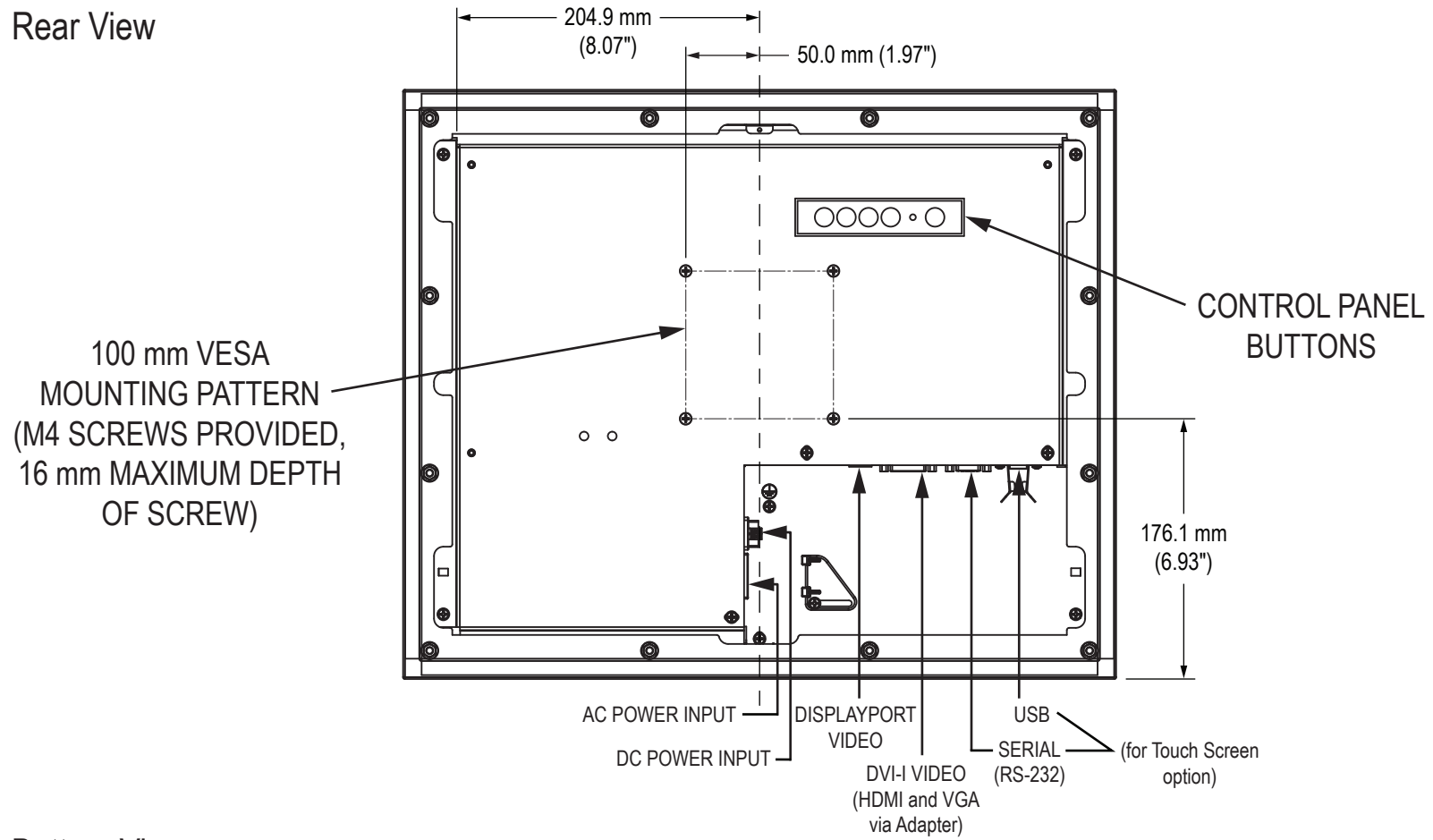
Front View



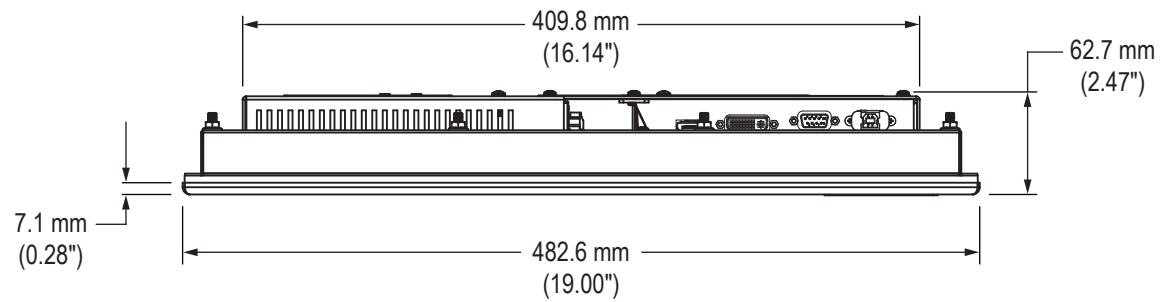
Side View



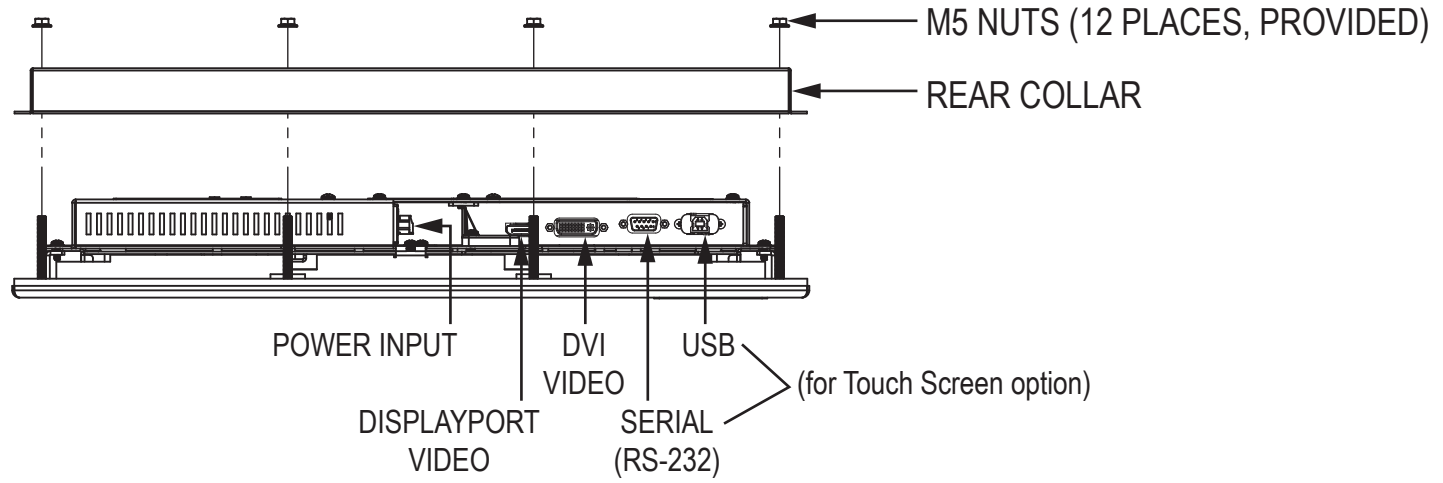
Rear View



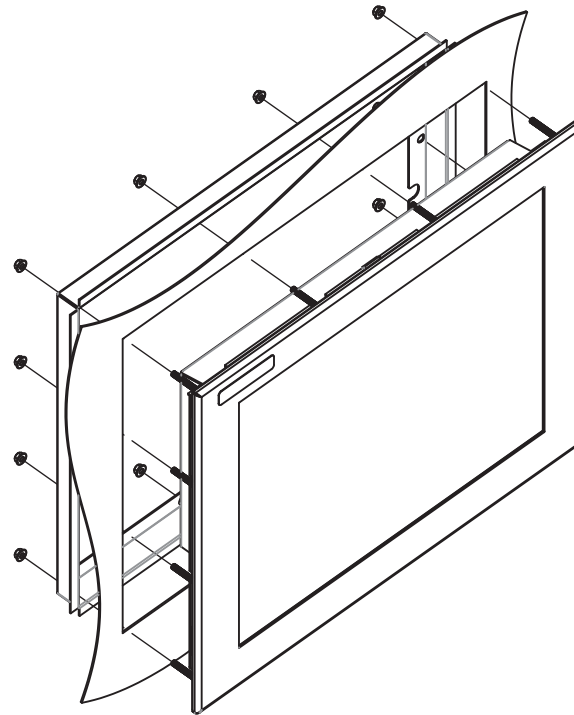
Bottom View



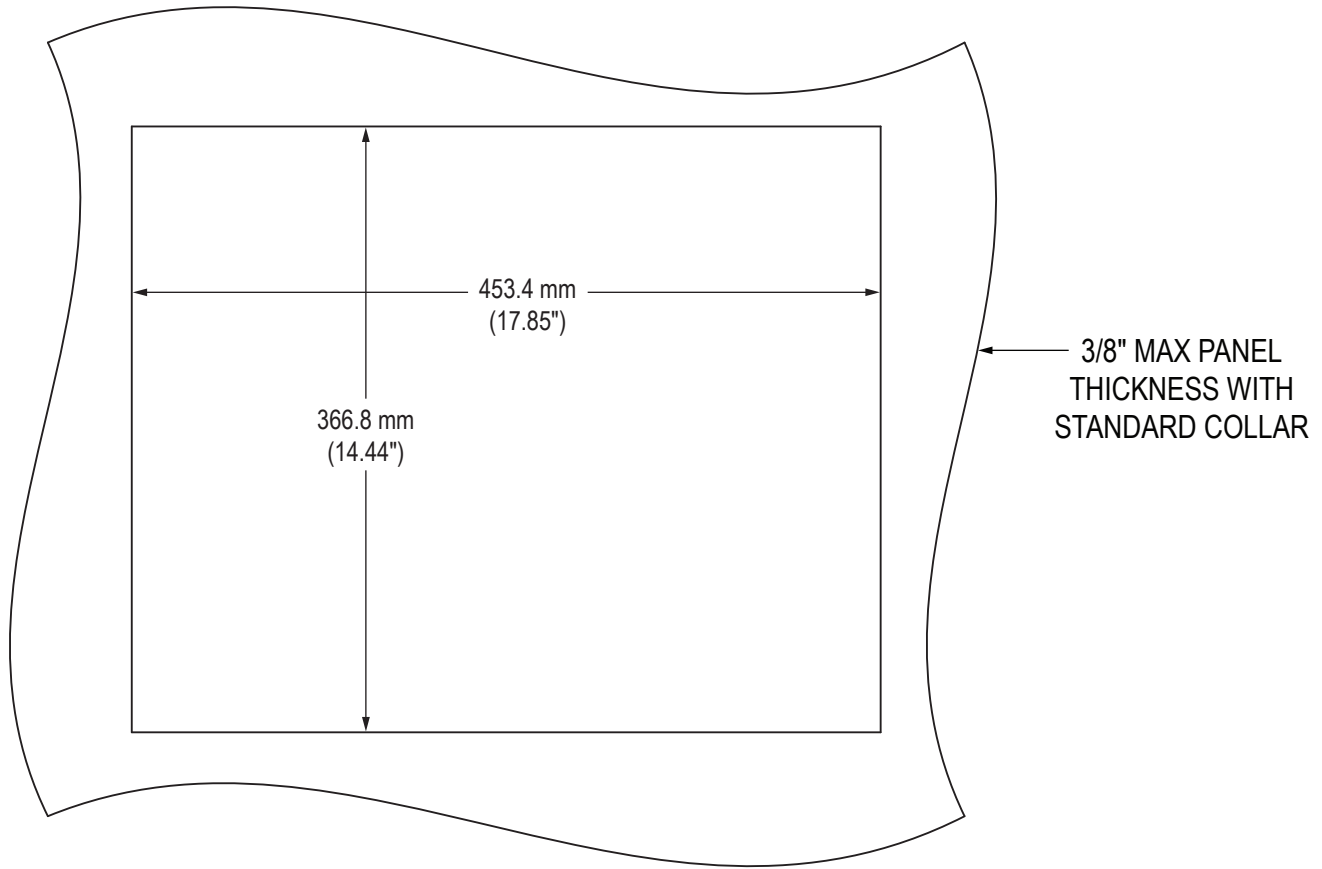
Bottom View (showing Cable Connections)



Mounting Diagram

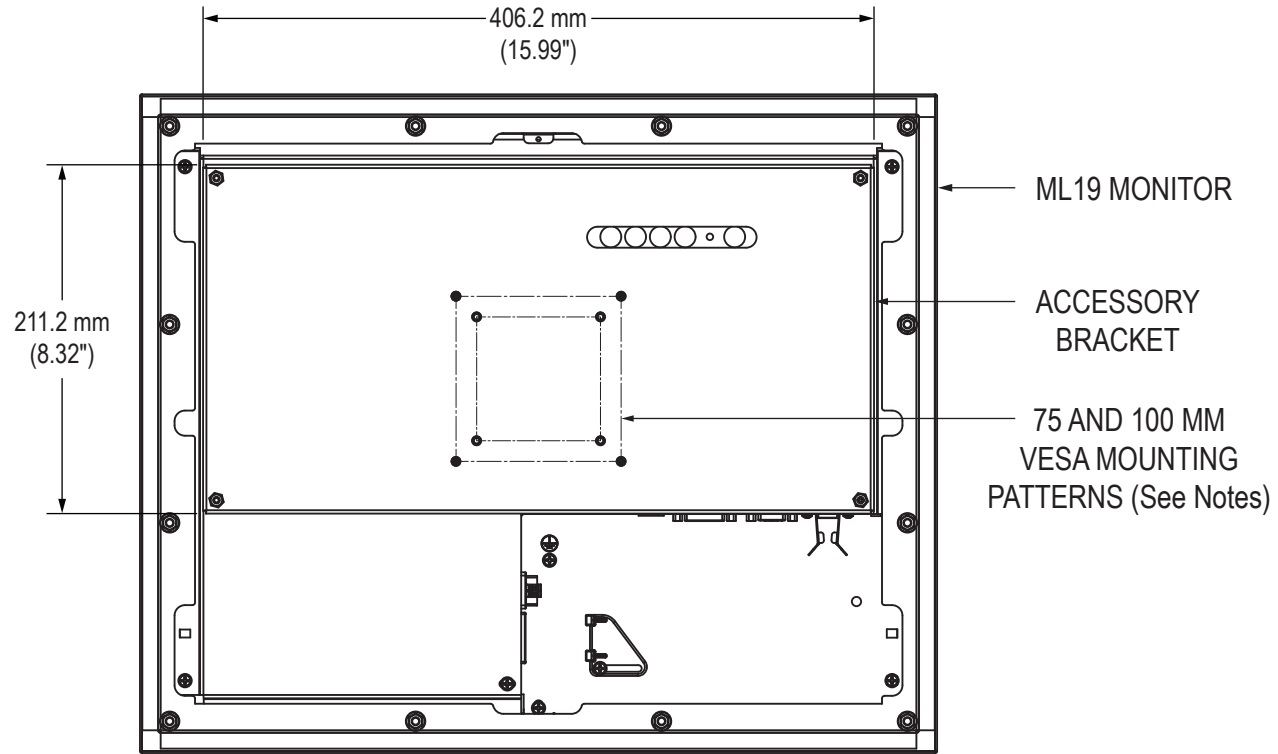


Cutout Dimensions



VB-19F Accessory Mounting Bracket

Rear View



Bottom View

