



Installation Instructions

KVM2EXT-BLK-N4-USB or KVM2EXT-SS-N4X-USB

Rear-Mounted USB KVM Extender

→ IMPORTANT!

TO IDENTIFY COMPUTER RELATED ISSUES AND PREVENT COSTLY TROUBLESHOOTING, BENCH TEST YOUR MONITOR, KVM EXTENDER, KEYBOARD, AND/OR MOUSE WITH YOUR COMPUTER WITH THE PROVIDED 25' CAT5 CABLE.

KVM LOCAL AND REMOTE MODULES COME FROM THE FACTORY AS MATCHED PAIRS (MATCHED BY SERIAL NUMBER) AND ARE TUNED AND TESTED AS SUCH. NEVER USE MISMATCHED PAIRS OF LOCAL AND REMOTE MODULES.




ANY STEPS MARKED WITH THIS SYMBOL ARE REQUIRED TO ENSURE COMPLIANCE WITH CLASS I, II, III, DIVISION 2 HAZARDOUS LOCATION REQUIREMENTS.

1. Install the KVM Local Module and cabling according to the instructions in the "Connections at the local module" section of the AdderLink X-USBPRO manual.

NOTE: Even if your KVM Extender is used only to support a remote monitor (no keyboard, mouse, or touch screen), you still need to install a USB cable between the computer and the KVM Local Module for the KVM Local Module to function.

2. Lay the monitor face down on a clean work surface with the bottom of the monitor facing you. Use a soft cloth or piece of foam as a pad to prevent scratching the front of the monitor.
3. Remove the eight existing screws around the cable access opening on the rear cover of the monitor.

4. For monitors with a permanently installed keyboard, install the keyboard by following the installation instructions that shipped with the keyboard.

5.  Install the video cable from the KVM Remote Module into the monitor and secure the screw locks. Loosen the retaining clip for the power cable in the monitor's cable well and connect the power cable from the KVM Remote Module to the monitor. Retighten the retaining clip as shown in Figure 1.

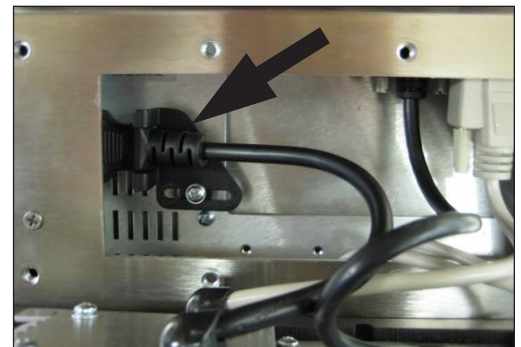



FIGURE 1

6. For touch screen units, connect the USB cable from the KVM Remote Module to the monitor's touch screen port. A cable retention bracket comes installed on the USB port on the monitor and will help to secure the cable and ensure adequate strain relief. Without removing the retention bracket, route the USB cable through the end of the bracket and into the USB input port on the monitor. Continue to step 8.

7. For non-touch screen units, remove the tie wrap holding the USB cable to the KVM Remote Module and remove and discard the cable.

8.  For monitors with a permanently installed keyboard, connect the USB cable from the keyboard to the short USB extension cable from the KVM Remote Module. Secure the USB connectors with the provided wire retaining clip as shown in Figure 2.

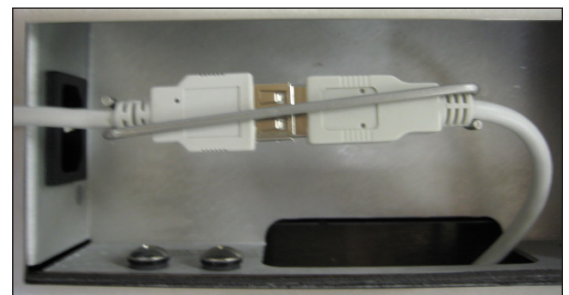



FIGURE 2

9. Refer to Figure 3. Insert the KVM Remote Module into the opening of the rear panel by sliding the right hand locking tabs in all the way to the right.

10. Refer to Figure 3. Press down firmly and slide the KVM Remote Module to the left until it stops with both left hand locking tabs securely inside the rear panel.

11.  Loosen the power cable retaining clip in the well on the KVM Remote Module. Connect a power cable to the module's power connector then retighten the retaining clip as shown in Figure 4.



Rear-Mounted USB KVM Extender Instructions (continued)

12. Install the CAT5 cable from the KVM Local Module into the KVM Remote Module. Many issues with KVM Extender performance can be linked to partial or failing RJ45 crimps. We recommend using high quality crimpers and RJ45 connectors such as:

- LCom PN TDS8PC6 Connectors (for Shielded, Solid or Stranded, CAT6 cables)
- LCom PN TDS8PC5 Connectors (for Shielded, Solid or Stranded, CAT5E cables)
- LCom PN HTS2500 or Hanlong PN HT-236Q Modular Crimper

NOTE: Do not use your KVM Extender to link between different buildings. Linking between different buildings that do not share a common earth ground is not supported and may damage your KVM Extender.

13. Perform the image controls and skew adjustment found in the "Video compensation" section of the AdderLink X-USBPRO manual.

- a. For monitors without a permanently attached keyboard, temporarily plug a keyboard into the short USB extension cable from the KVM Remote Module.
- b. Bring power to the monitor.
- c. On the computer that the KVM Local Module is attached to, download the Adder test pattern generator from the following address:

<http://www.HopeIndustrial.com/links/addertest>

- d. Set the miniature toggle switch located in the upperside well of the KVM Remote Module to the "CAL" position.

NOTE: While the toggle switch is in the "CAL" position, the remote keyboard is disconnected from the computer and connected directly to the KVM Remote Module to allow for adjustment of the module.

- e. Set the cable type and length and make video gain and skew adjustments with the keyboard while observing the monitor's display.
- f. Return the miniature toggle switch to the "RUN" position.

14. After completing the image adjustment, unplug the temporary keyboard (if applicable) and temporary video cable.

15. Install the cover plate using the provided eight sealing screws. Fully tighten all eight screws, then back off one full turn.

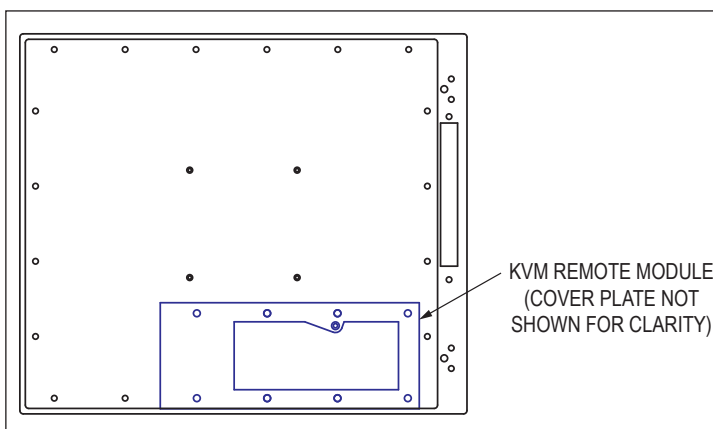


FIGURE 5

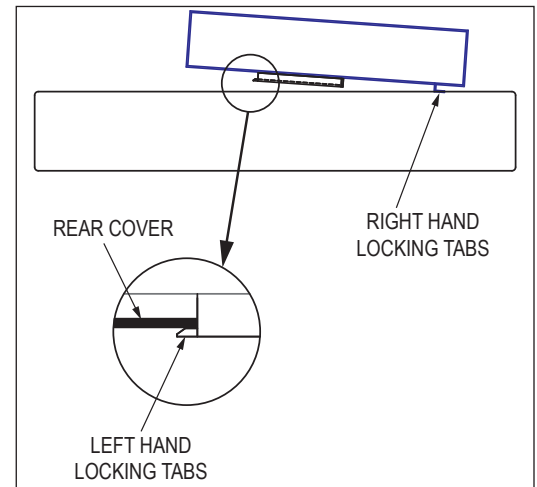


FIGURE 3

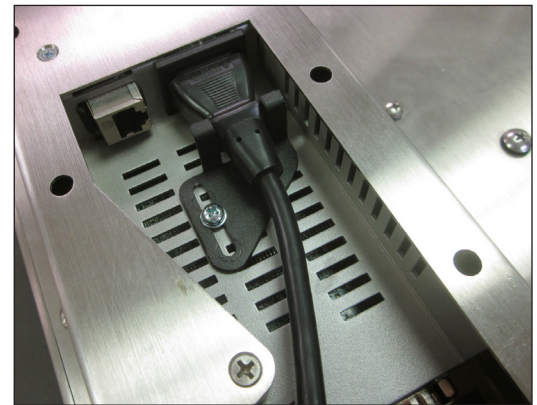


FIGURE 4

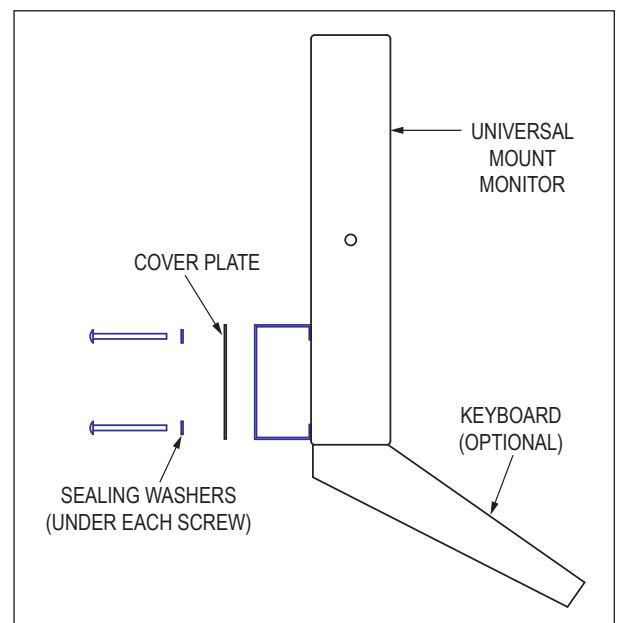


FIGURE 6