



Installation Instructions

YW __ -07- __ Series

Heavy Industrial Wall Yoke

1. Refer to Figure 1. Decide which mounting pattern to use: narrow or wide. If using the wide pattern, hole plugs must be removed and can be moved to the narrower mounting pattern holes.

NOTE: The wide mounting pattern is recommended when possible for the most stiffness. The narrow mounting pattern may be required when mounting to a narrow location, such as a column.

2. Refer to Figure 1. Create the desired mounting pattern on the wall surface.
3. Refer to Figure 1. Mount the yoke to the wall using four 5/16" screws or bolts (not included) in the four locations on the mounting bracket.
4. Refer to Figure 2 (on page 2). Mount the monitor onto the wall yoke using the provided mounting hardware.

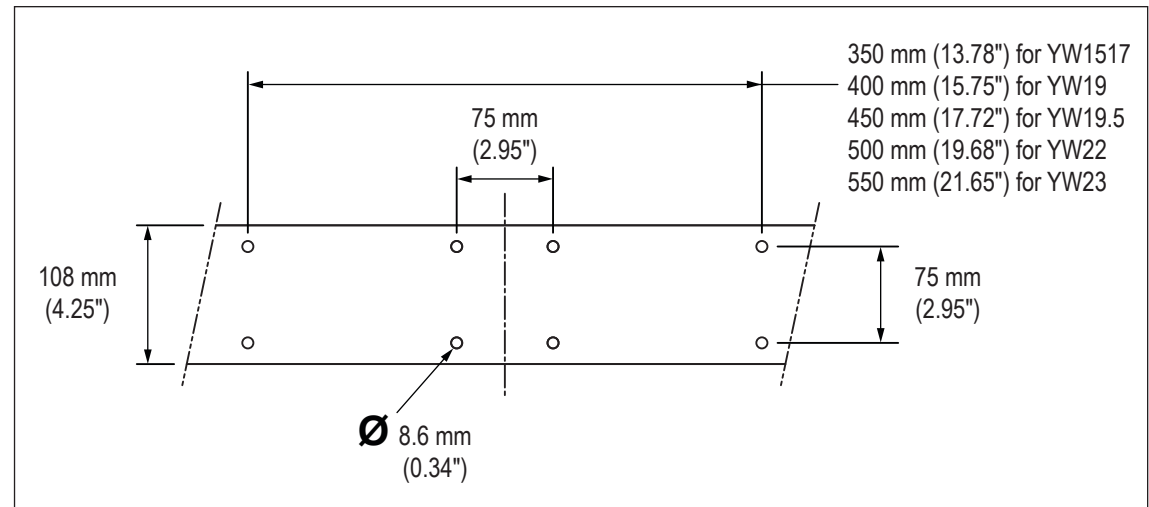


FIGURE 1 – YW __ -07- __ MOUNTING PATTERN



Heavy Industrial Wall Yoke Installation Instructions (continued)

FIGURE 2 – YOKE MOUNTING HARDWARE

