



Installation Instructions

YB and PED4X4 Series

Yoke and Benchttop/Pedestal Mounting Kit

For mounting on a benchttop

1. Ensure benchttop mounting surface is smooth enough to seal with gasket.
2. Cut or drill mounting pattern in surface. Refer to Figure 1 for the benchttop mounting pattern.
3. If cables will be routed through the yoke base (and below the mounting surface), unscrew and discard the cap that covers the yoke base top. If cables will not be routed through the yoke base, you may keep the cap in place and skip to the next step.

NOTE: At this point it may be easier to route cables under the mounting location since the hole in the bench is larger than the cable routing hole in the yoke base. Consider installing and routing cables at this time.

4. Refer to Figure 2. Bolt the yoke base to the mounting surface using the first two opposing 1/4-20 flat head screws. Secure screws tightly with the provided washers and nuts on the underside of the mounting surface.

NOTE: Two different lengths (3/4" and 2") of 1/4-20 flat head screws are provided for your convenience. Depending on the benchttop, the longer screws may be required.

5. Rotate yoke 90° to gain access to the two remaining screw holes. Install the remaining screws, washers, and nuts, securing tightly.
6. Remove the side screws and washers from the monitor. Mount the monitor onto the yoke using the provided mounting hardware as shown in Figure 4 (on page 3).
7. If you haven't already, install and connect any remaining cables and install the cable exit cover plate by following the instructions that came with the specific cover plate model.

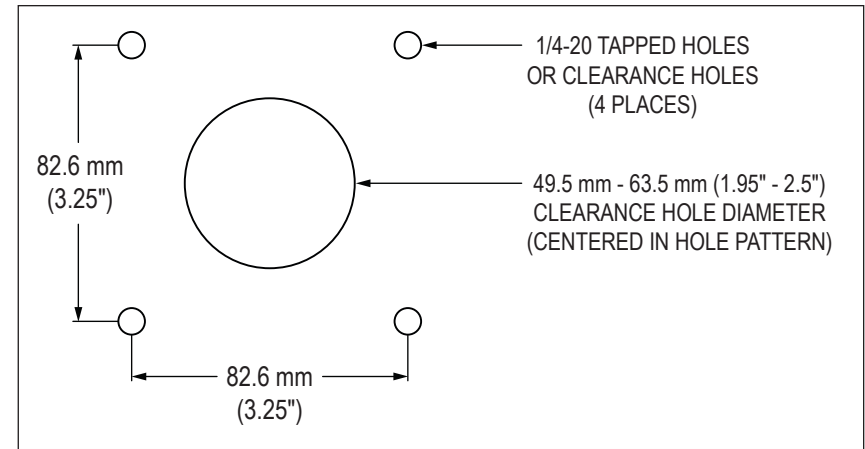


FIGURE 1 – BENCHTOP MOUNTING PATTERN

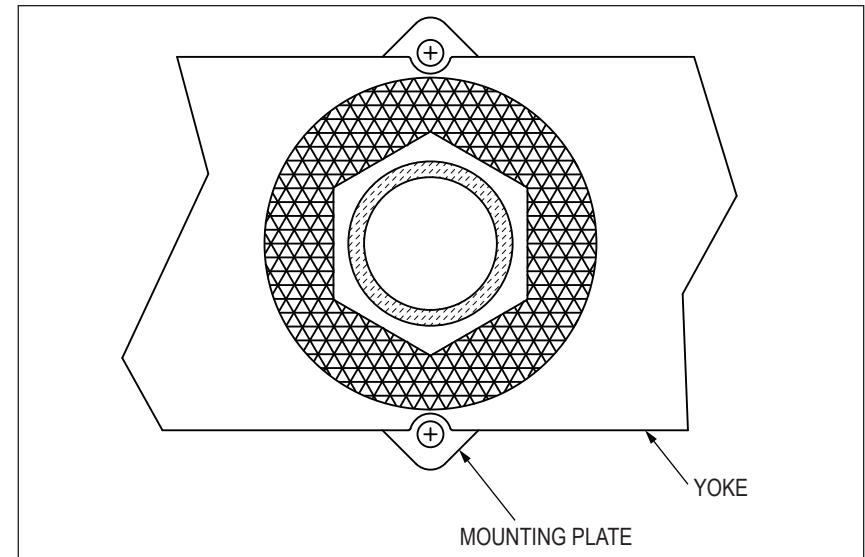


FIGURE 2 – TOP VIEW OF MOUNTING PLATE



Yoke and Benchtop/Pedestal Mounting Kit Installation Instructions (continued)

For mounting on a pedestal

1. Prepare the pedestal base mounting surface for the pedestal installation. Refer to Figure 3 for the mounting pattern used on the pedestal base plate.
2. Install the pedestal using appropriate hardware and methods for the selected mounting surface taking strength, cable routing, and sealing into consideration.
3. If cables will be routed through the yoke and pedestal, unscrew and discard the cap that covers the yoke base. If cables will not be routed through the yoke and pedestal, you may keep the cap in place and skip to the next step.

NOTE: At this point it may be easier to route cables under the mounting location and through the pedestal since the hole in the pedestal is larger than the hole in the yoke mounting hardware. Consider installing and routing cables at this time.

4. Refer to Figure 2 (on page 1). Bolt the yoke base to the top of the pedestal by installing the first two opposing 1/4-20 flat head screws. Secure screws tightly.

NOTE: Two different lengths (3/4" and 2") of 1/4-20 flat head screws are provided. Use the short (3/4") 1/4-20 screws to secure the yoke base to the top of the pedestal.

5. Rotate yoke 90° to gain access to the two remaining screw holes. Install the remaining screws, securing tightly.
6. Remove the side screws and washers from the monitor. Mount the monitor onto the yoke using the provided mounting hardware as shown in Figure 4 (on page 3).
7. If you haven't already, install and connect any remaining cables and install the cable exit cover plate by following the instructions that came with the specific cover plate model.

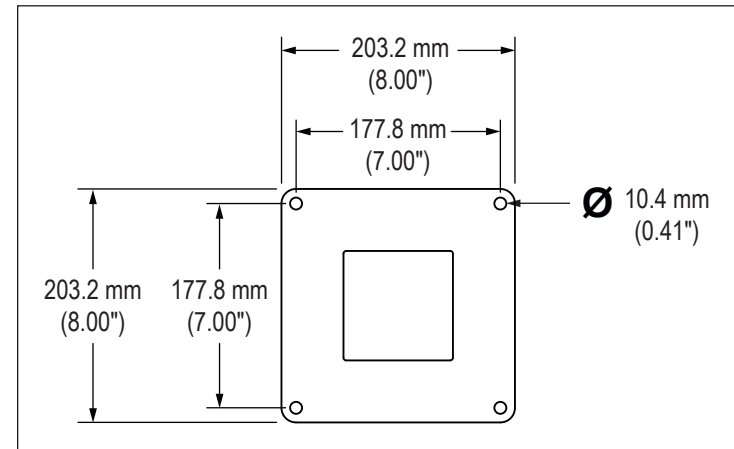


FIGURE 3 – PEDESTAL BASE PLATE



Yoke and Benchtop/Pedestal Mounting Kit Installation Instructions (continued)

FIGURE 4 – YOKE MOUNTING HARDWARE

