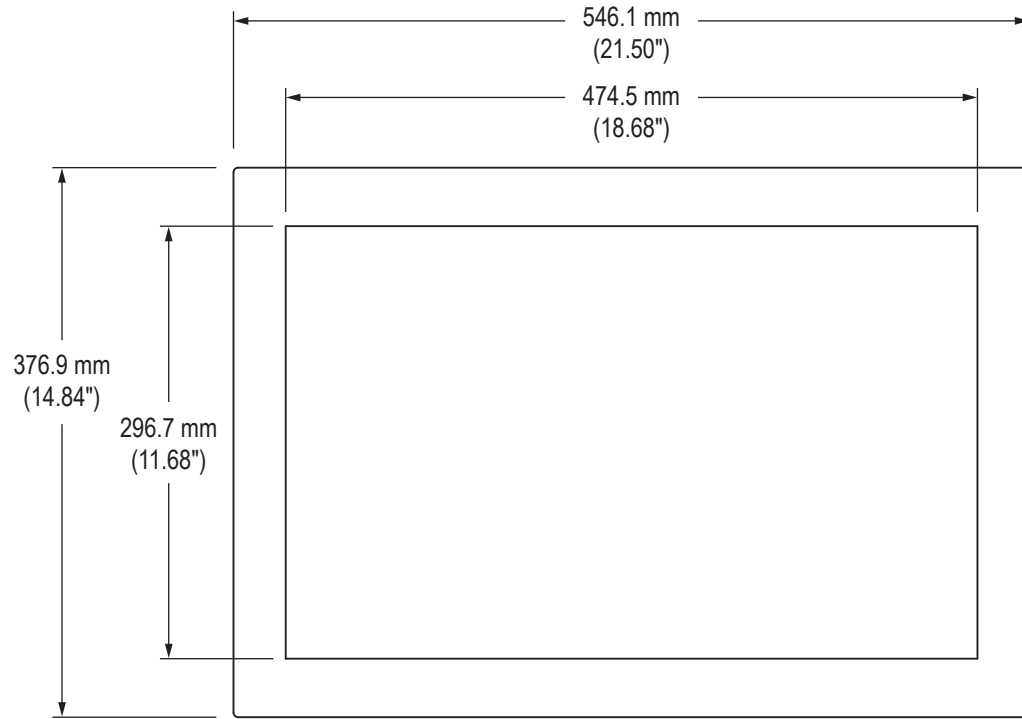
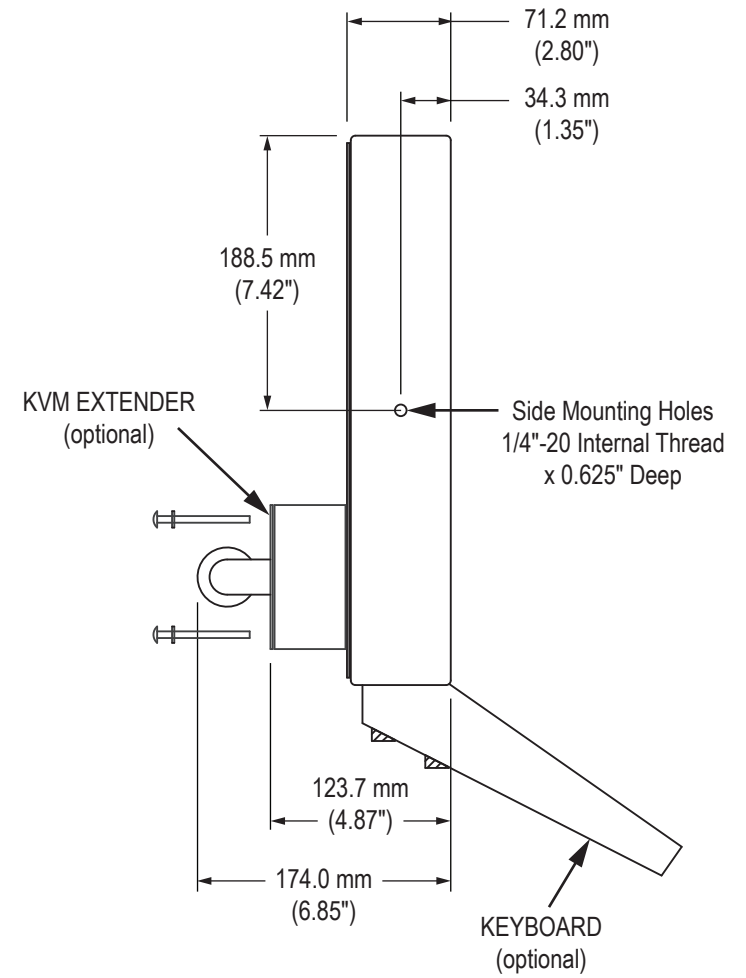


Front View



Side View



Hope Industrial Systems, Inc.

Toll Free: (877) 762-9790 · International: +1 (678) 762-9790
 UK: +44 (0) 20 7193-2618 · E-mail: support@HopeIndustrial.com

Part Number: HIS-UM22

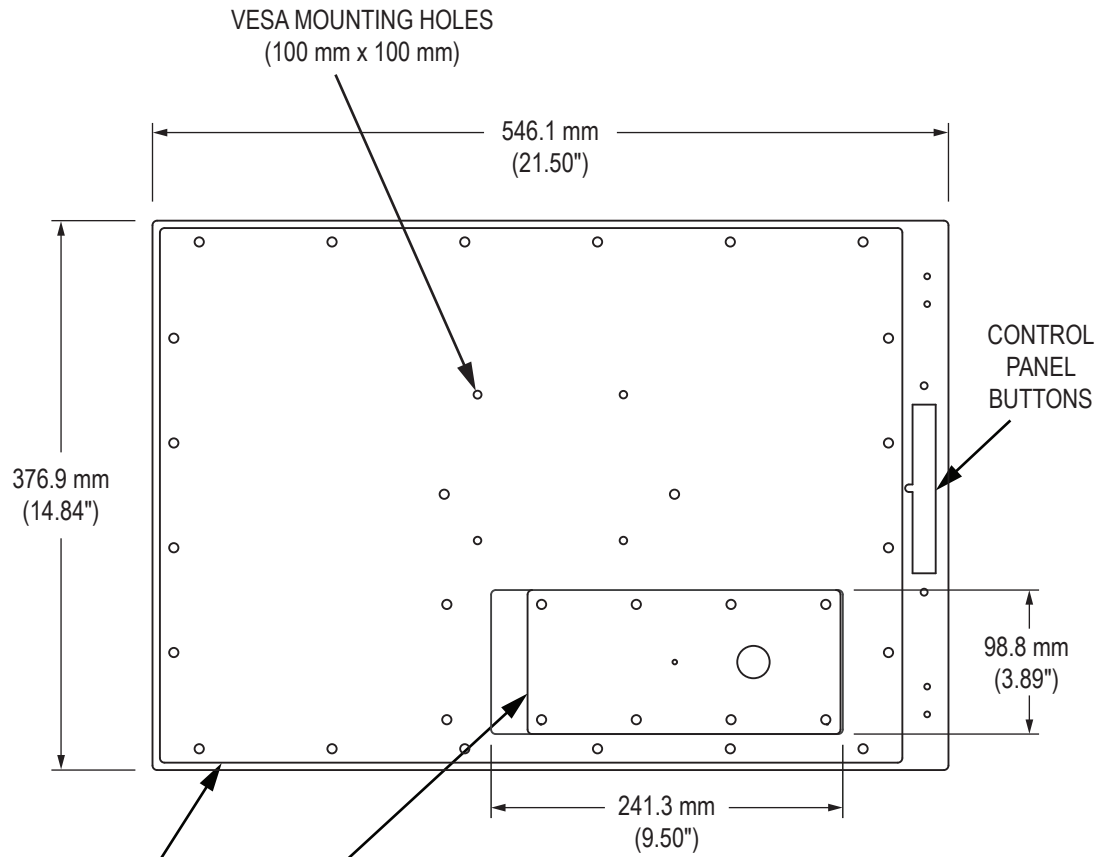
Revision: A

Date: 2010.07.31

Page 1 of 2

NOTES:

Rear View



REAR PANEL

CABLE ENTRY (4 Models):
 NEMA 2, 12/4, or 12/4/4X Compression Gland
 NEMA 12/4 or 12/4/4X Conduit Cable Exit
 NEMA 12/4 or 12/4/4X PermaGland
 NEMA 12/4 or 12/4/4X Cover Plate with Pilot Hole

