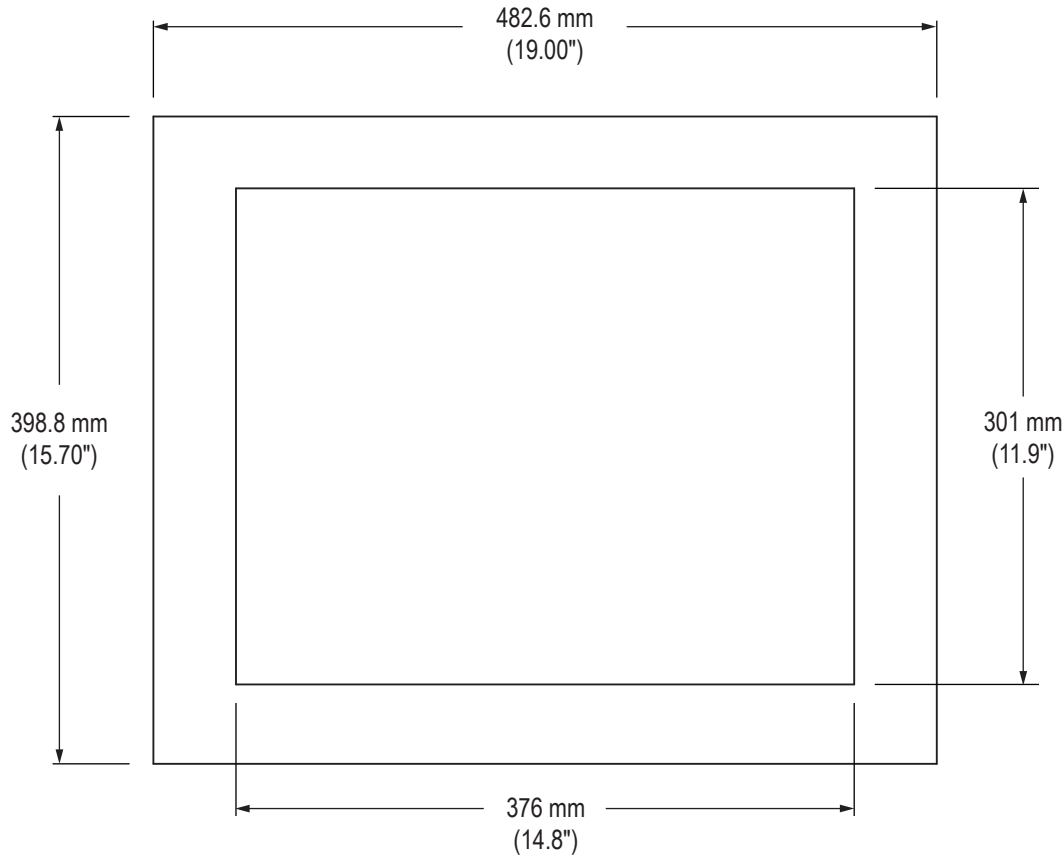
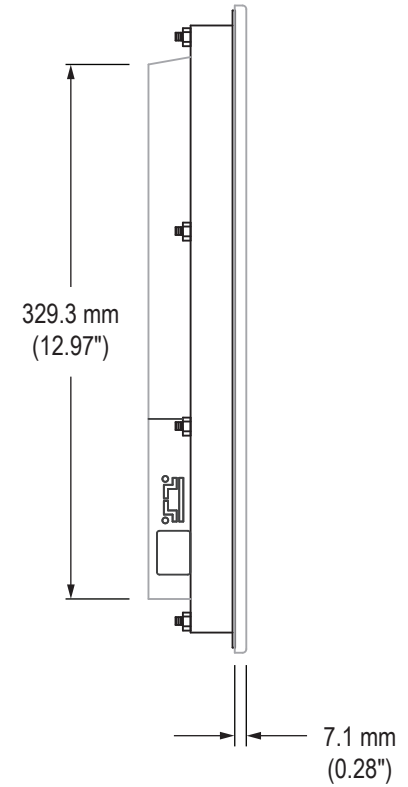


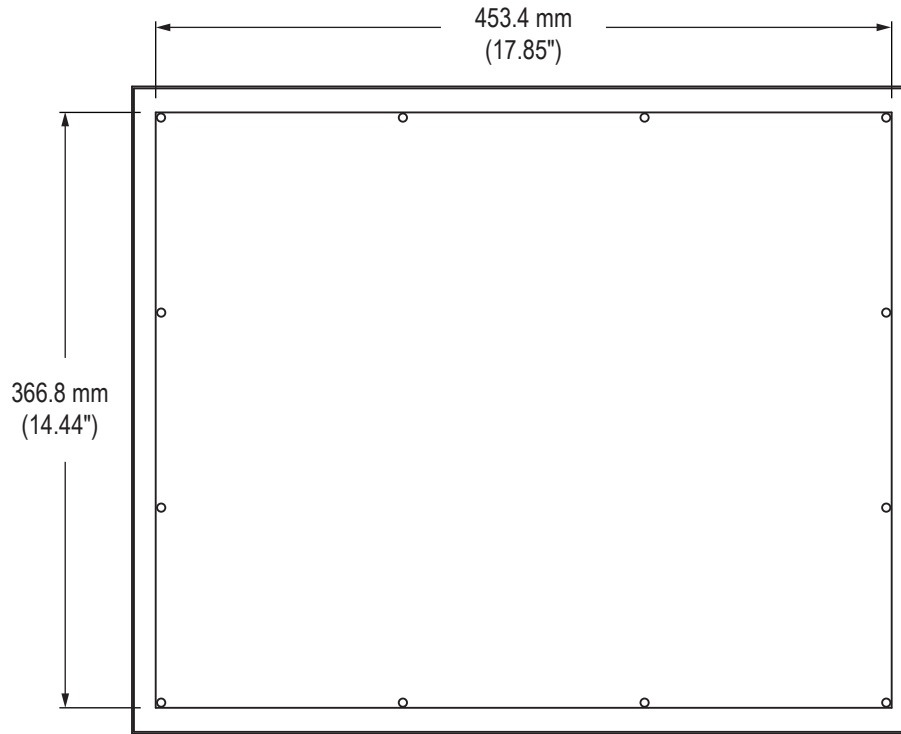
Front View



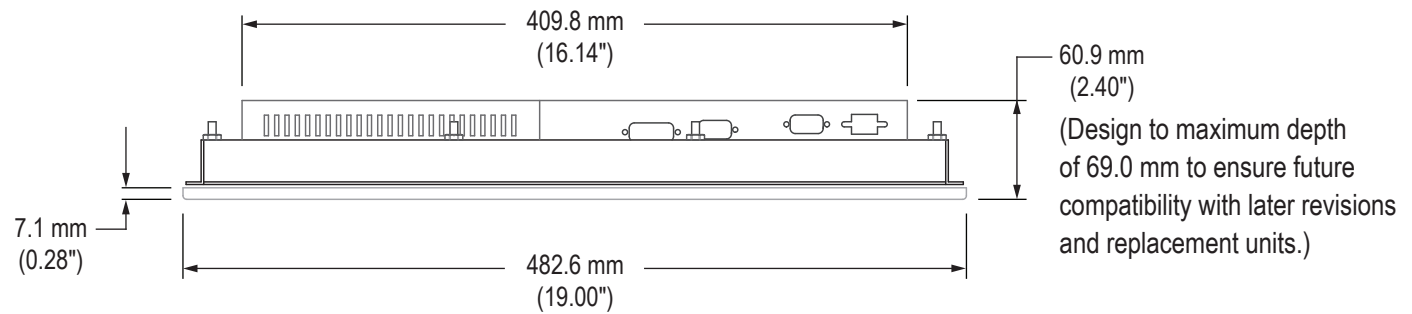
Side View



### Rear View (showing Cutout Dimensions)

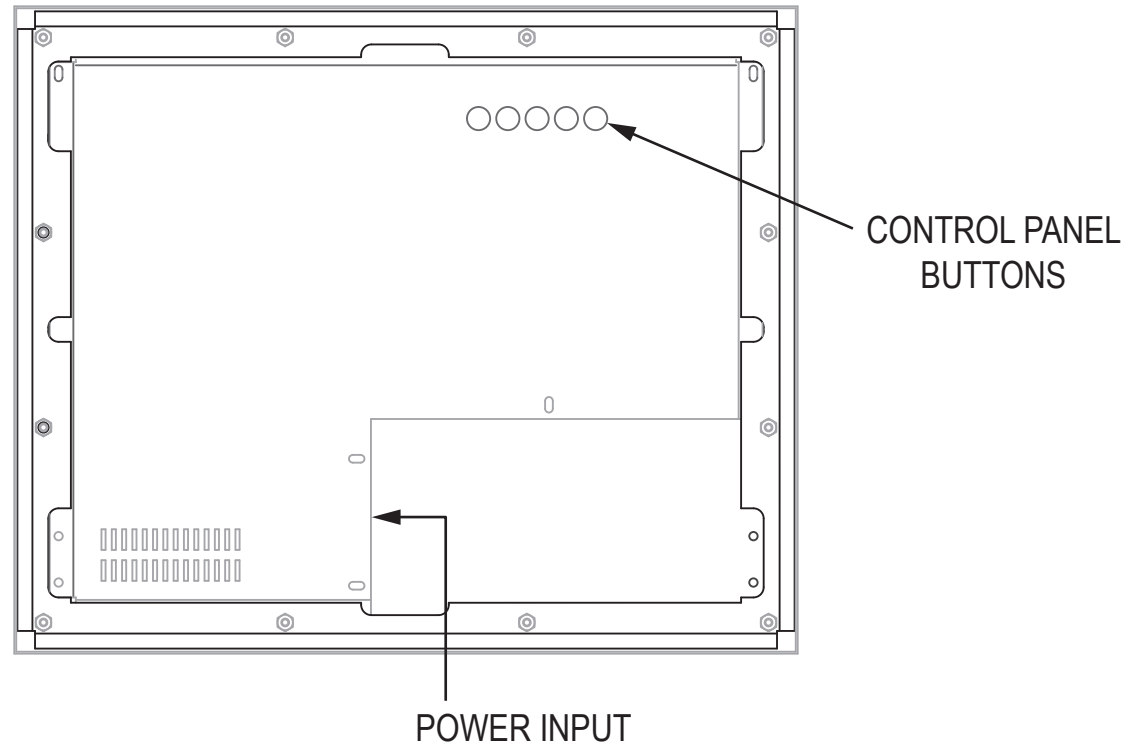


### Bottom View



Cable Connections

Rear View



Bottom View

