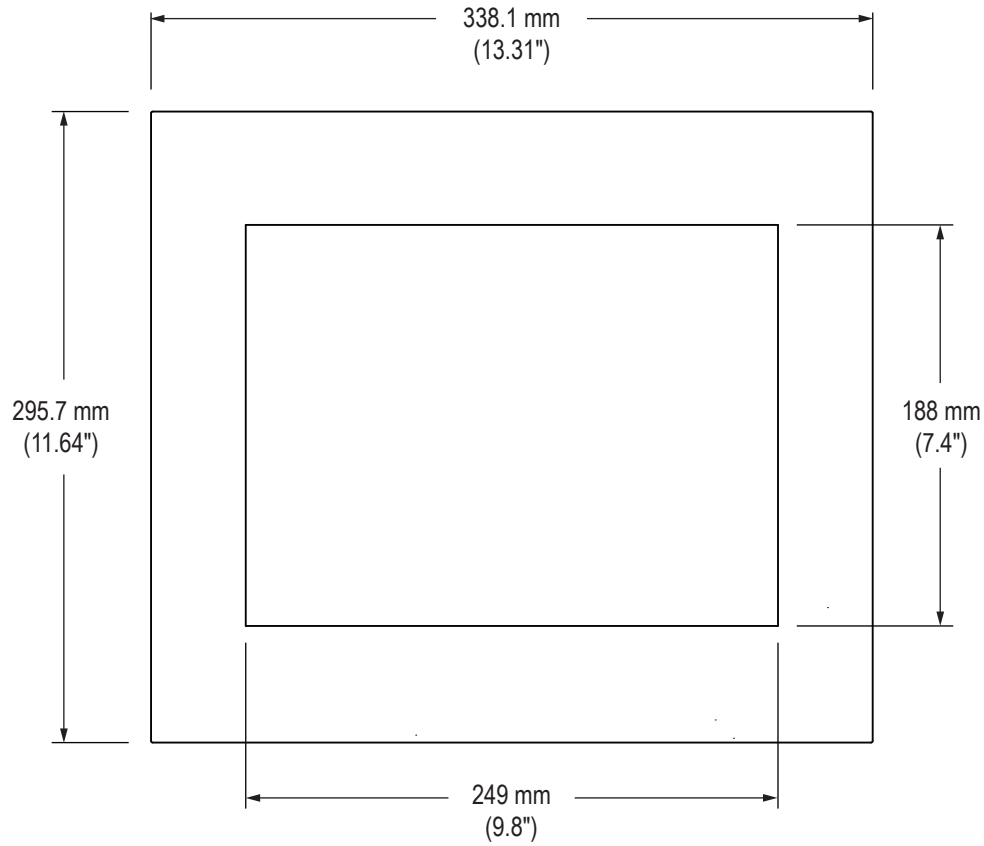
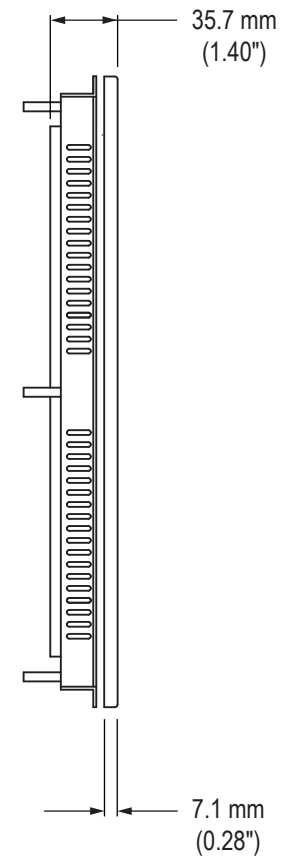


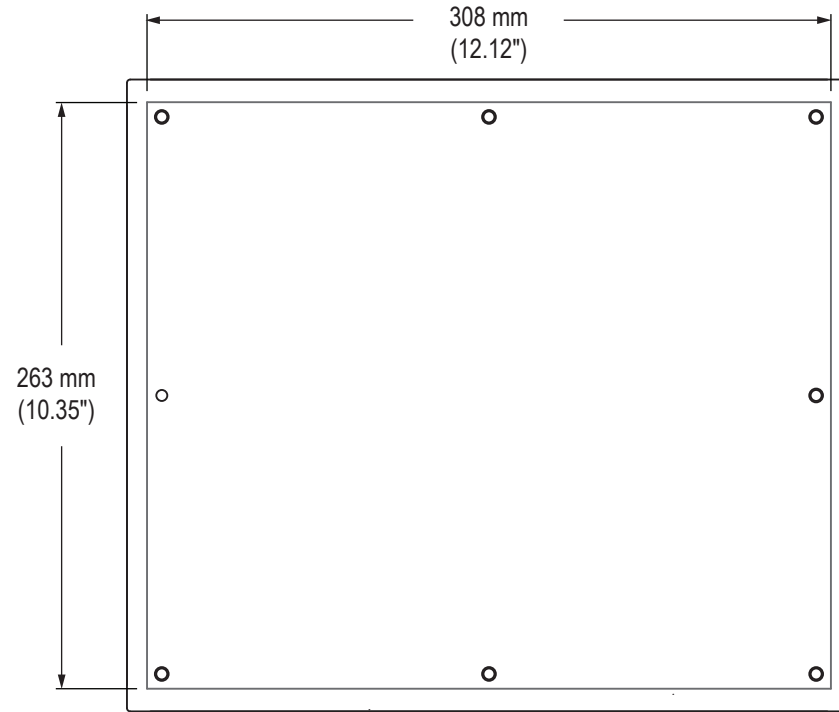
Front View



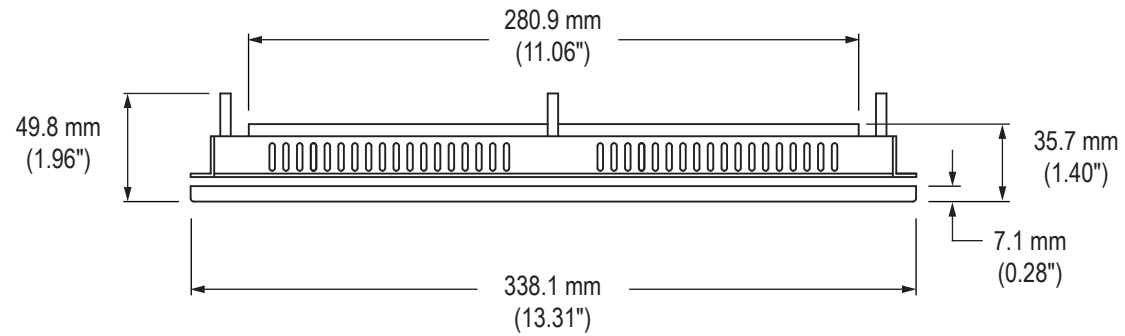
Side View



Rear View (showing Cutout Dimensions)



Bottom View



Cable Connections

Rear View

