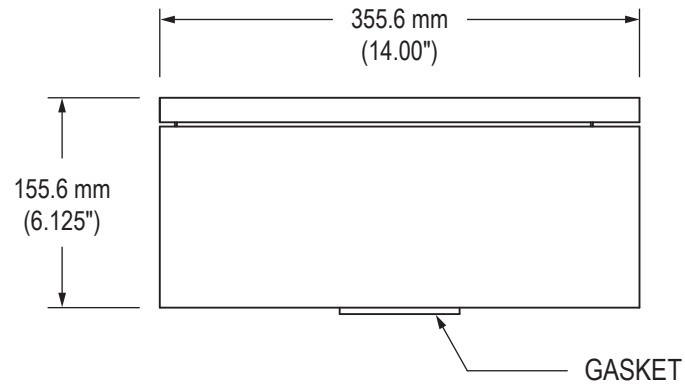
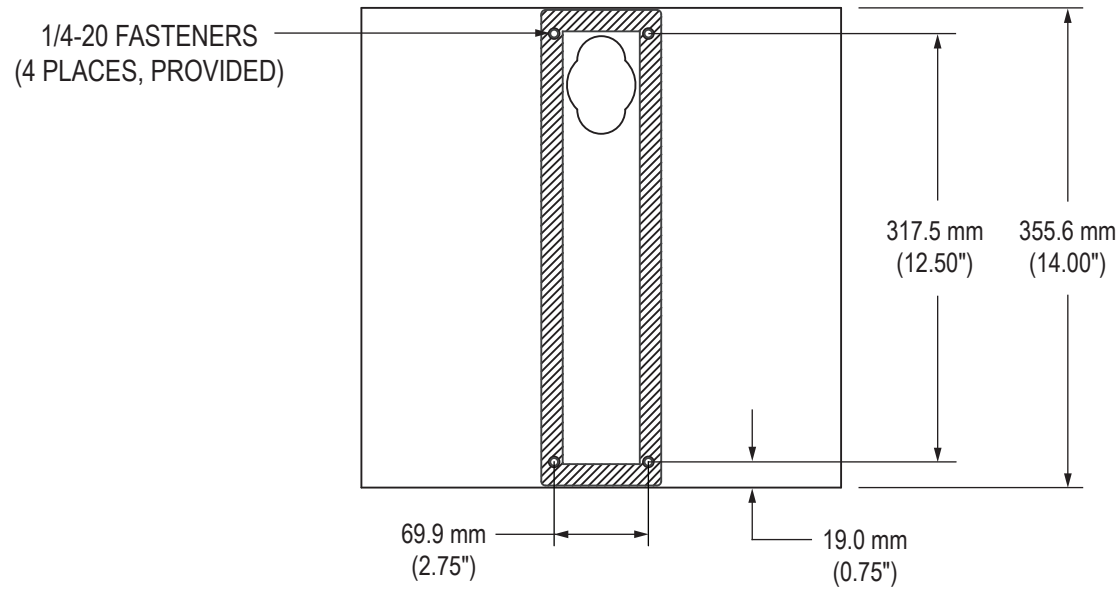


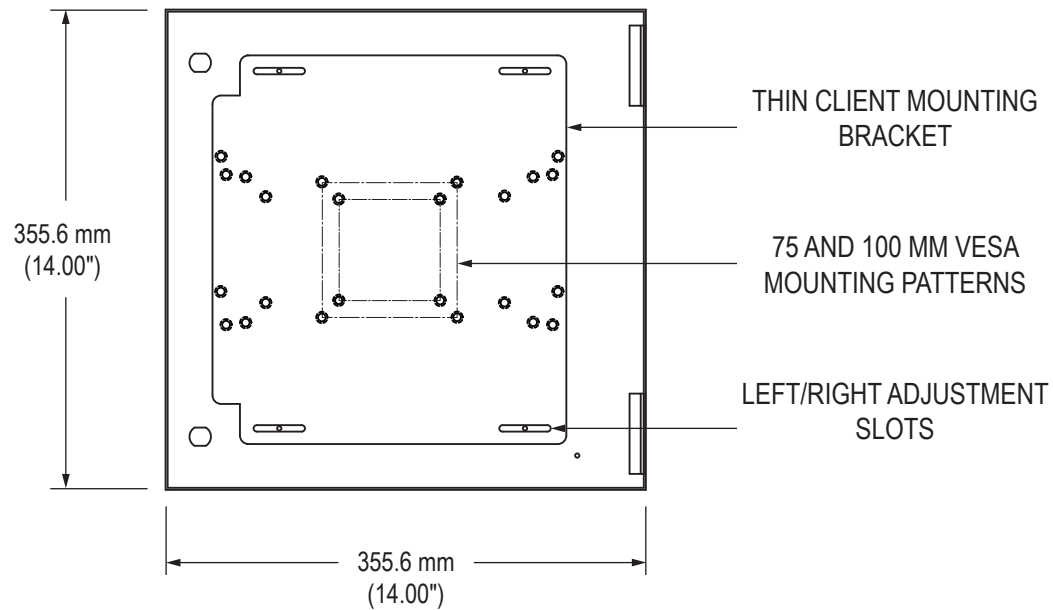
Top View



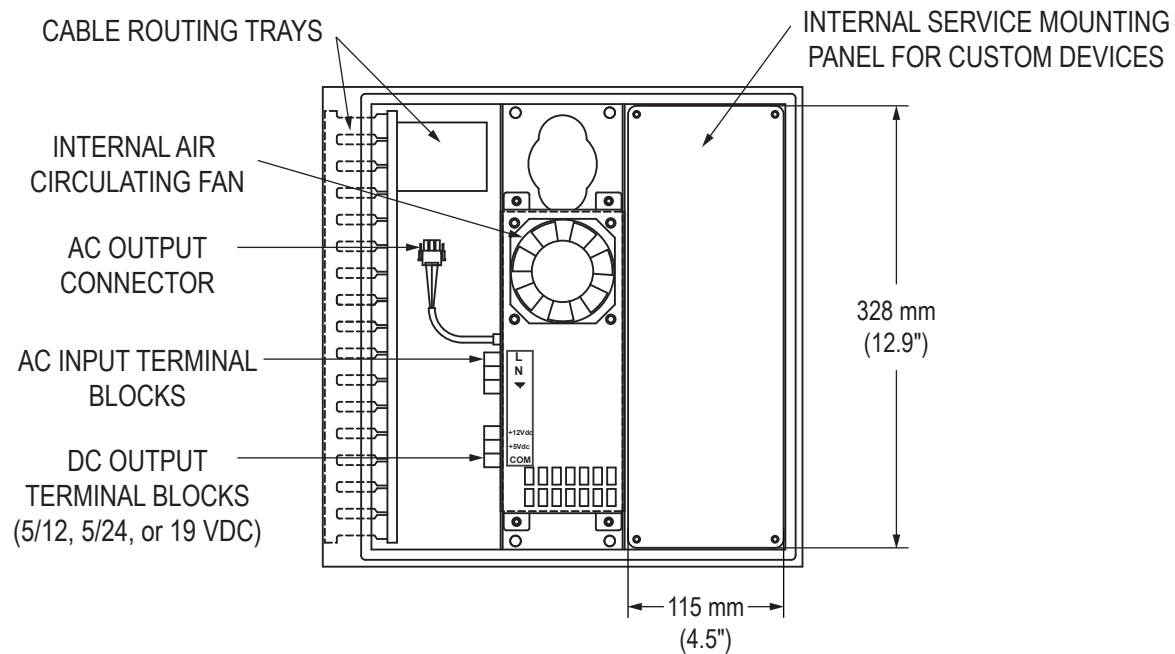
Rear View



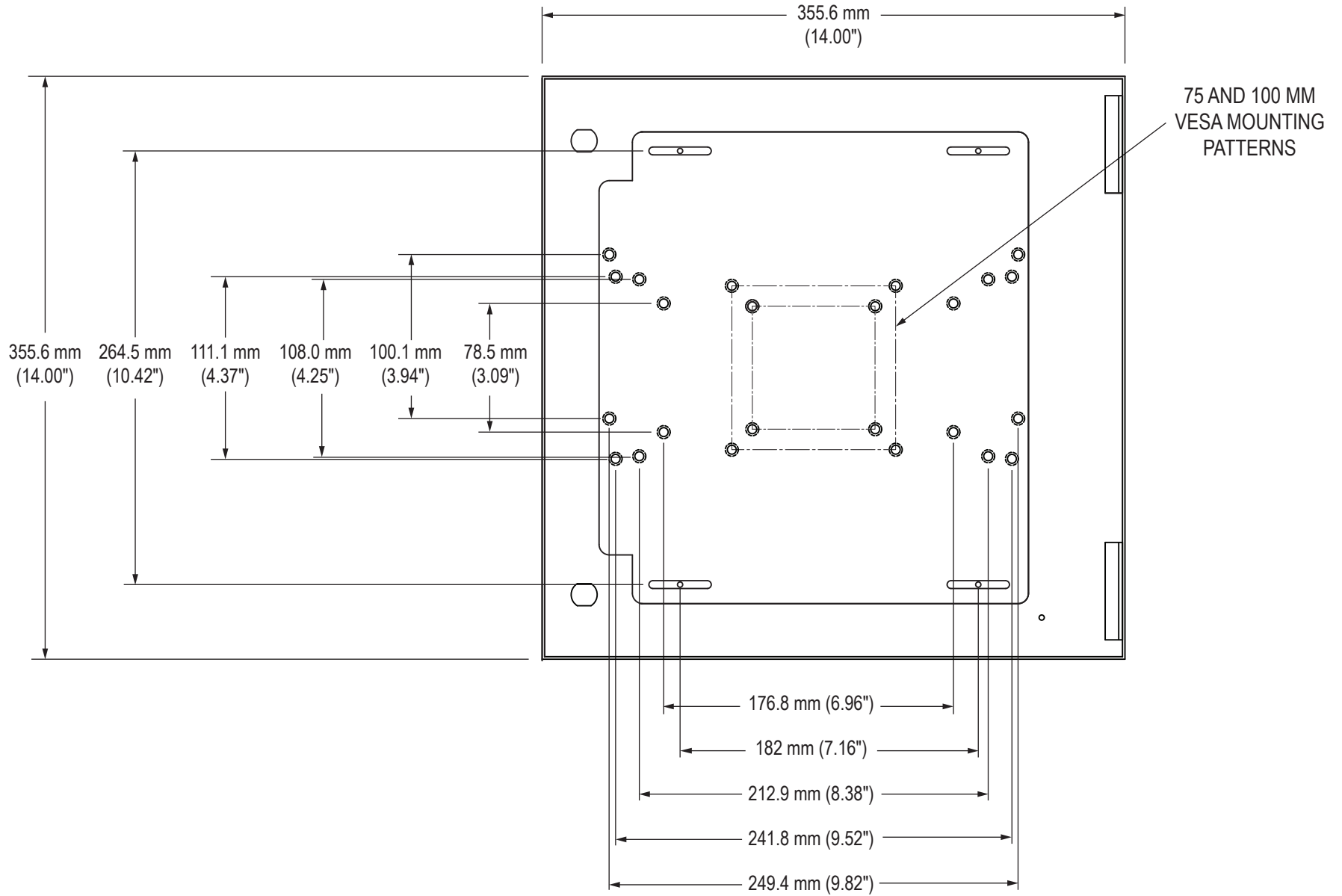
Inside View of Access Door



Inside View of Enclosure



Close-up of Access Door (showing Mounting Bracket measurements)

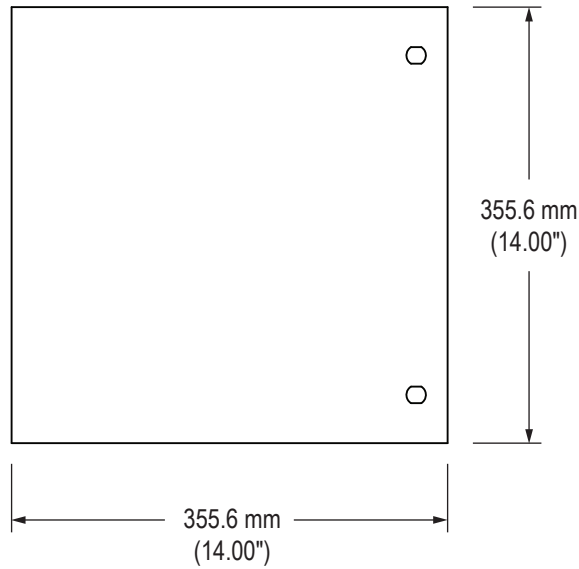


Mechanical Drawing – Thin Client / Small PC Enclosure

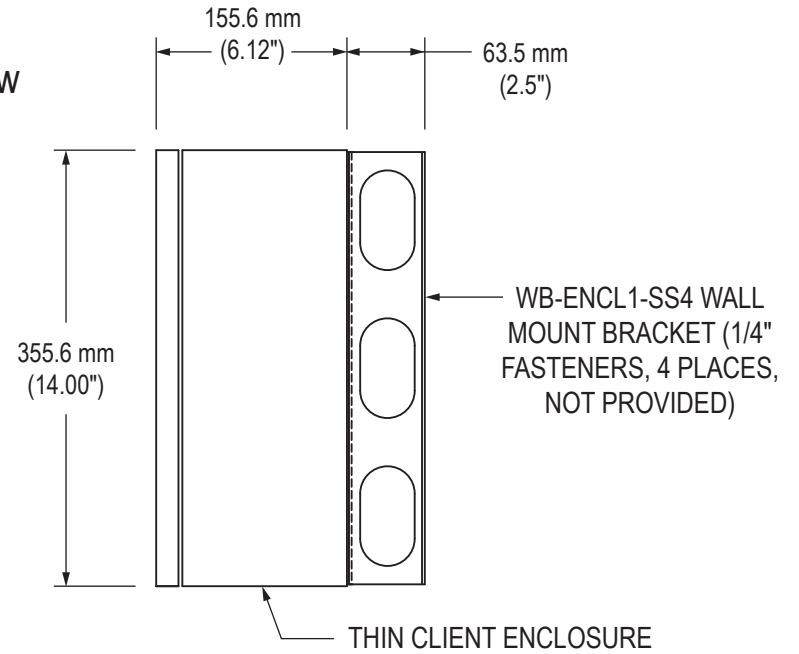


WALL MOUNTING BRACKET

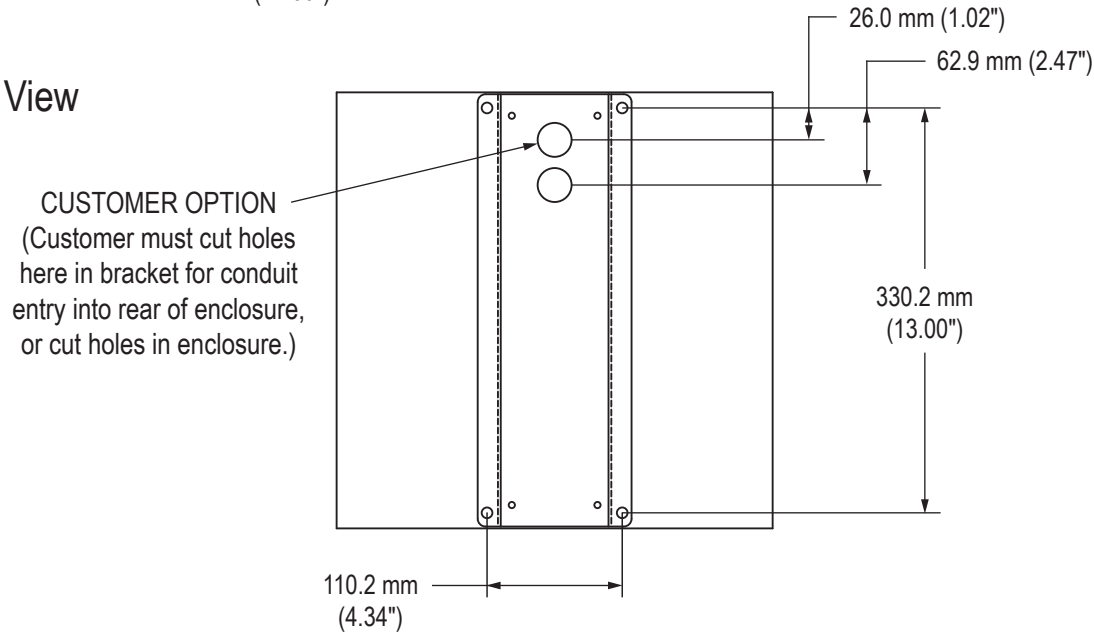
Front View of Enclosure



Side View

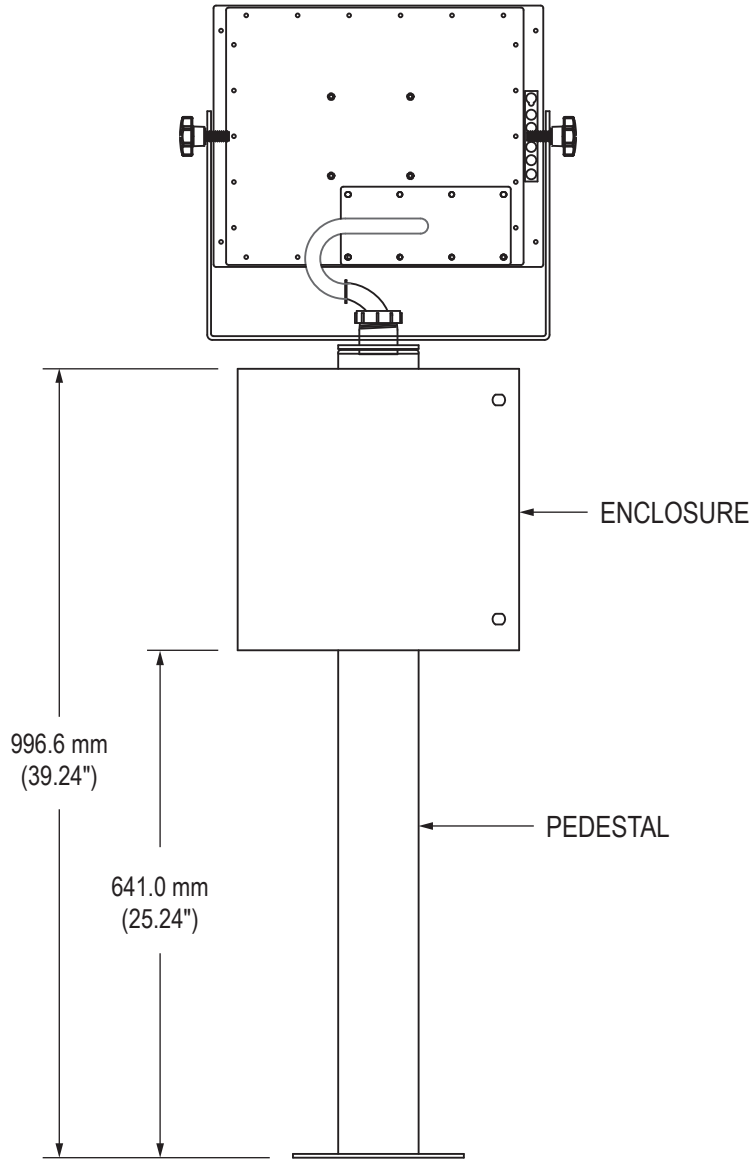


Rear View

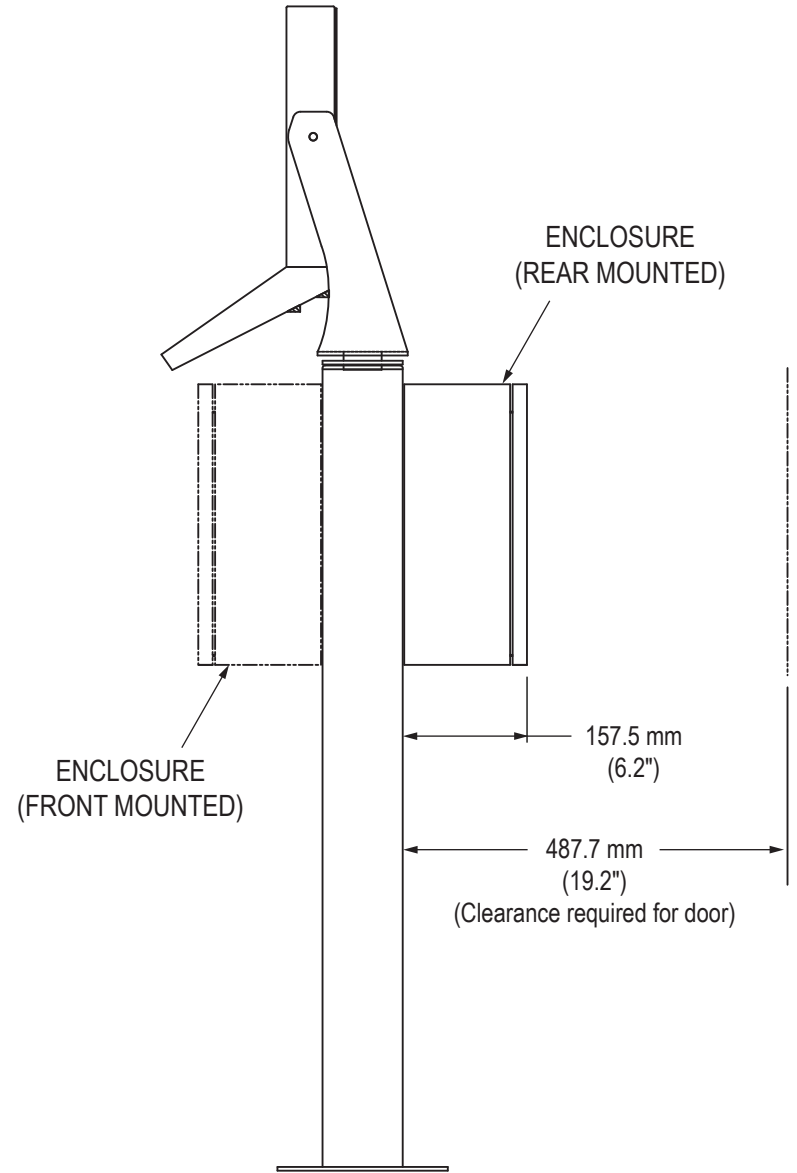


MOUNTED ON PED4X4

Rear View



Side View



Mechanical Drawing – Thin Client / Small PC Enclosure

