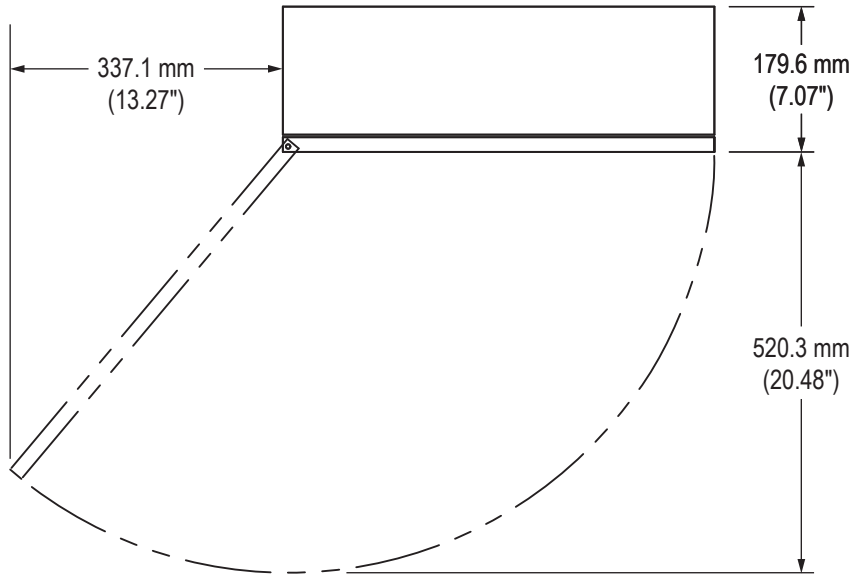
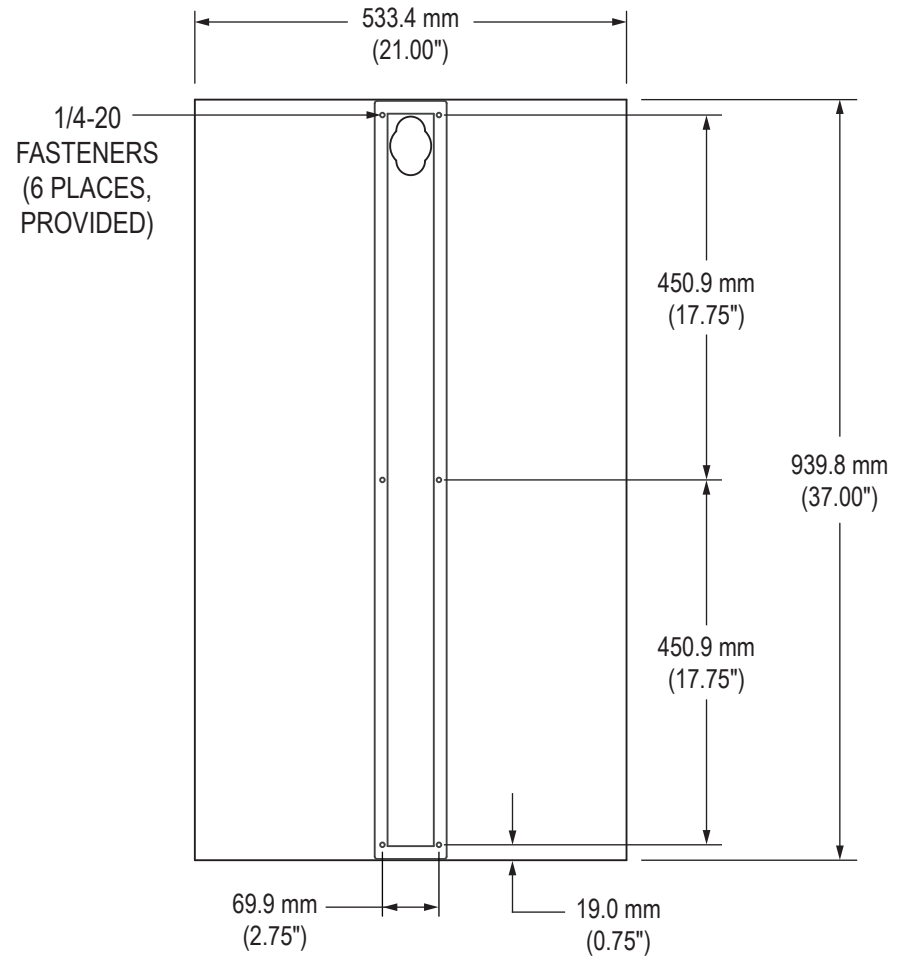


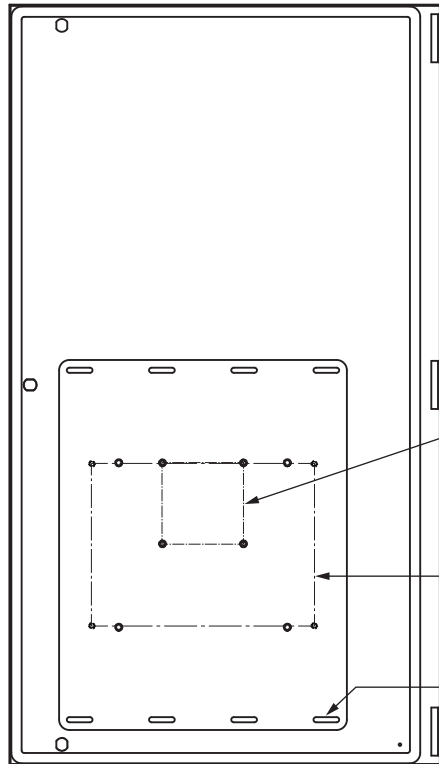
Top View (showing clearance required for door)



Rear View

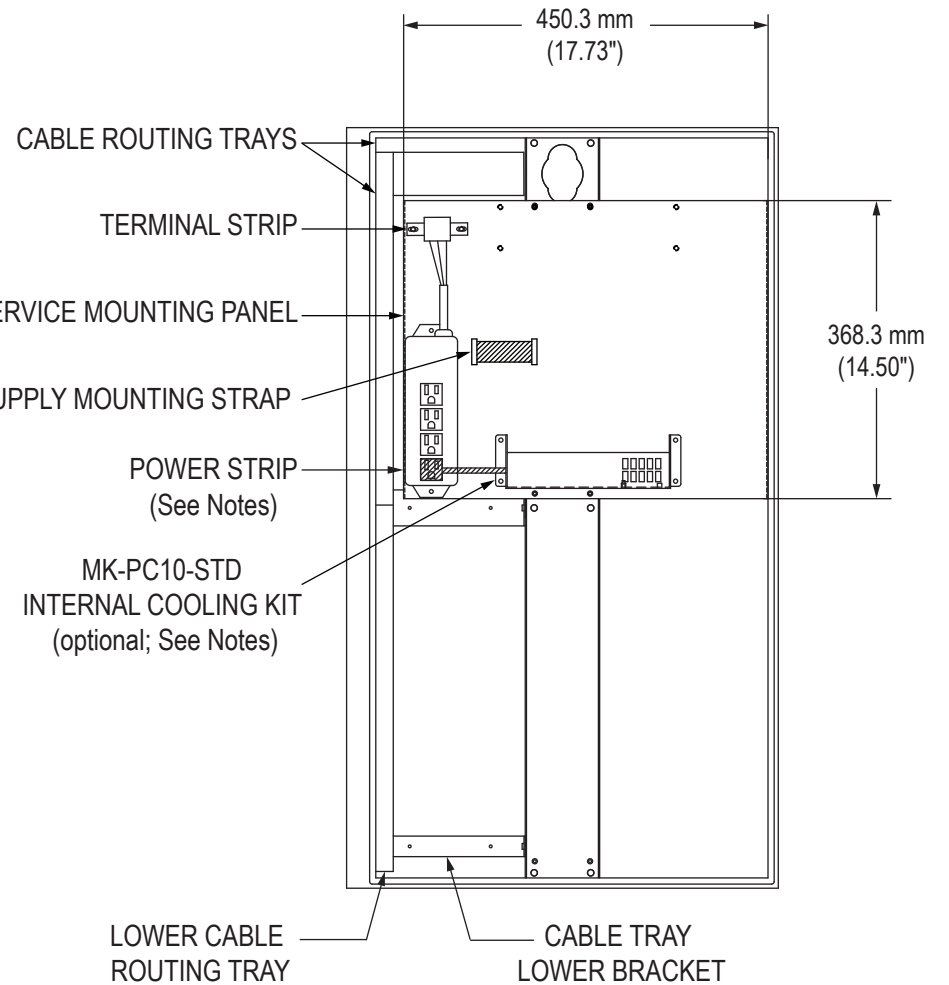


Inside View of Access Door

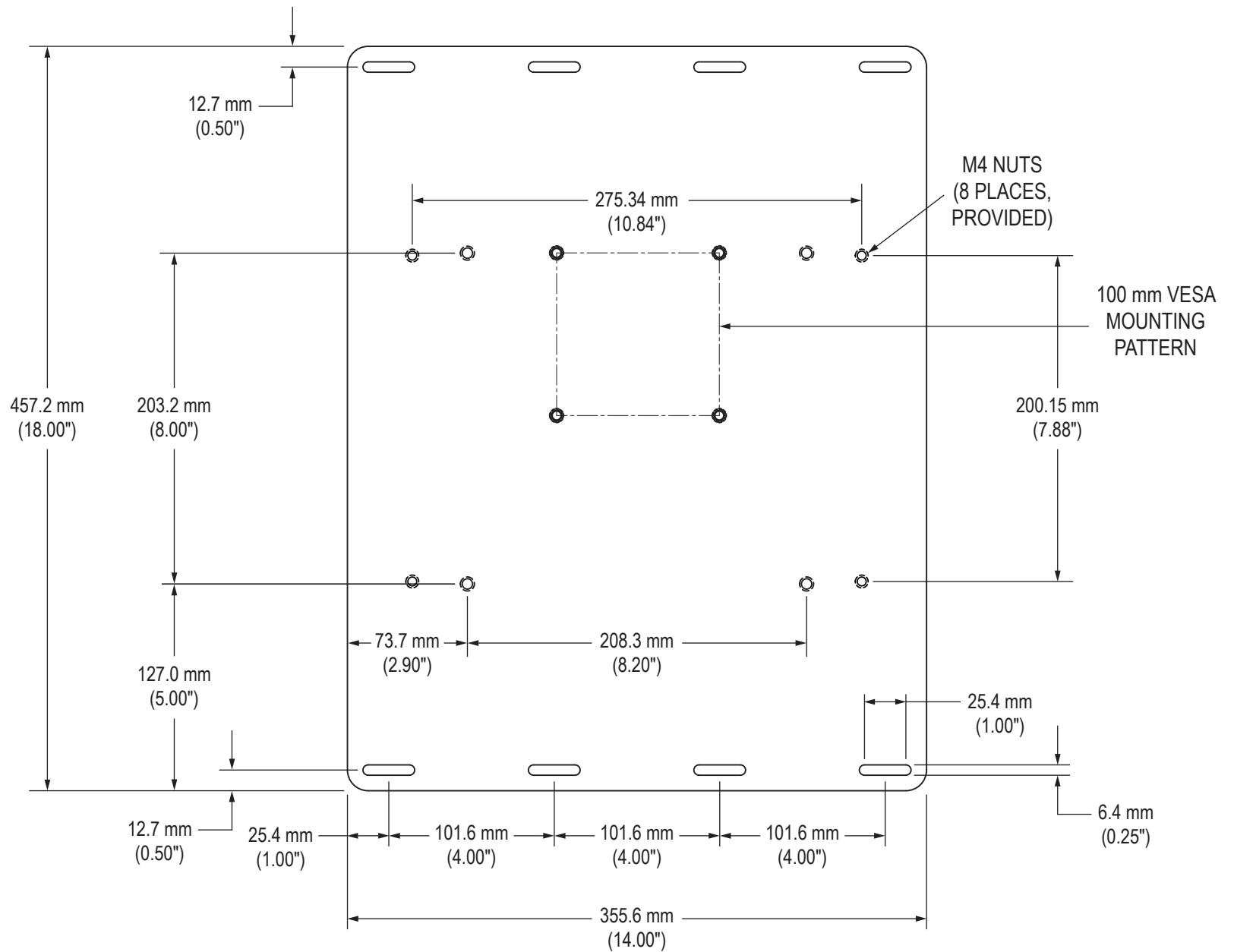


100 mm VESA MOUNTING PATTERN
 DELL BOX PC 5000 MOUNT POINTS (USE DELL 575-BBKC MOUNTING BRACKET)
 LEFT/RIGHT ADJUSTMENT SLOTS (8 PLACES)

Inside View of Enclosure



Close-up showing measurements of Access Door Mounting Bracket

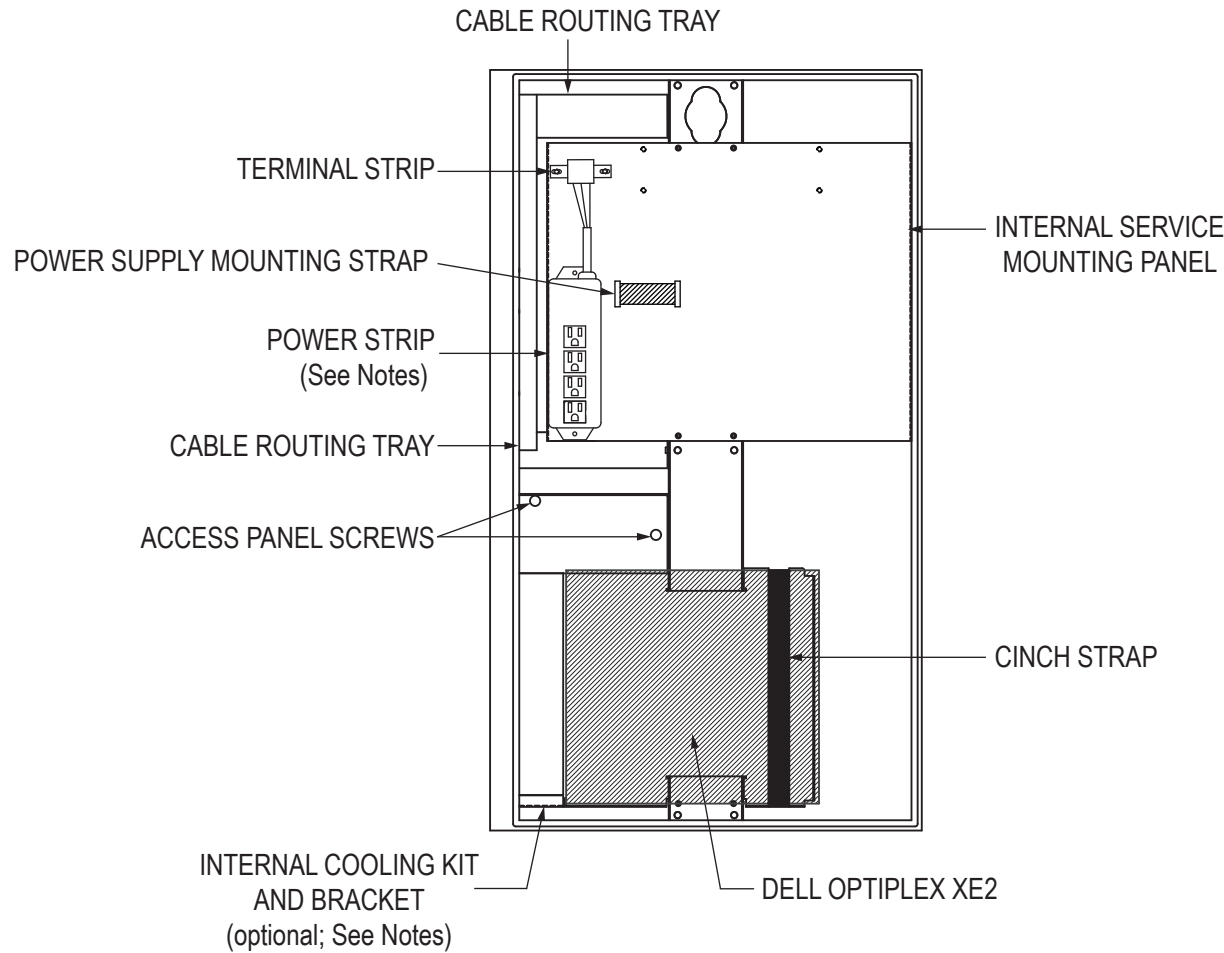


Mechanical Drawing – Commercial / Industrial PC Enclosure



DELL OPTIPLEX XE2 FAN KIT (MK-PC10-DELLXE2)

Inside View of Enclosure



Mechanical Drawing – Commercial / Industrial PC Enclosure

© 2018



Hope Industrial Systems, Inc.
 Toll Free: (877) 762-9790 · International: +1 (678) 762-9790
 UK: + 44 (0) 20 7193-2618 · E-mail: support@HopeIndustrial.com

Part Number: ENCL-PC series

Date: 2018.03.22

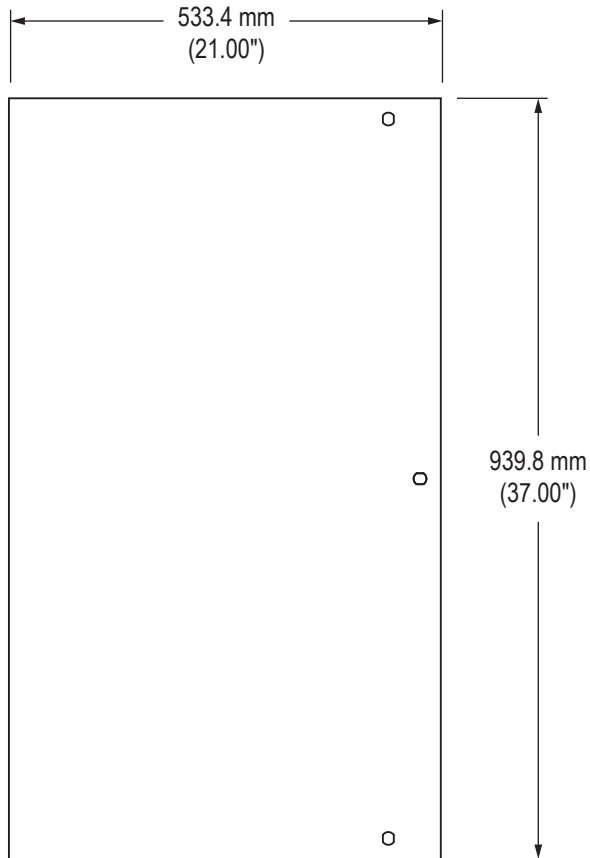
NOTES: 1) Power strip ordered separately with ENCL-PC00 Enclosures.
 2) When using optional MK-PC10-DELLXE2 Fan Kit, plug fan power into AC input.

Revision:

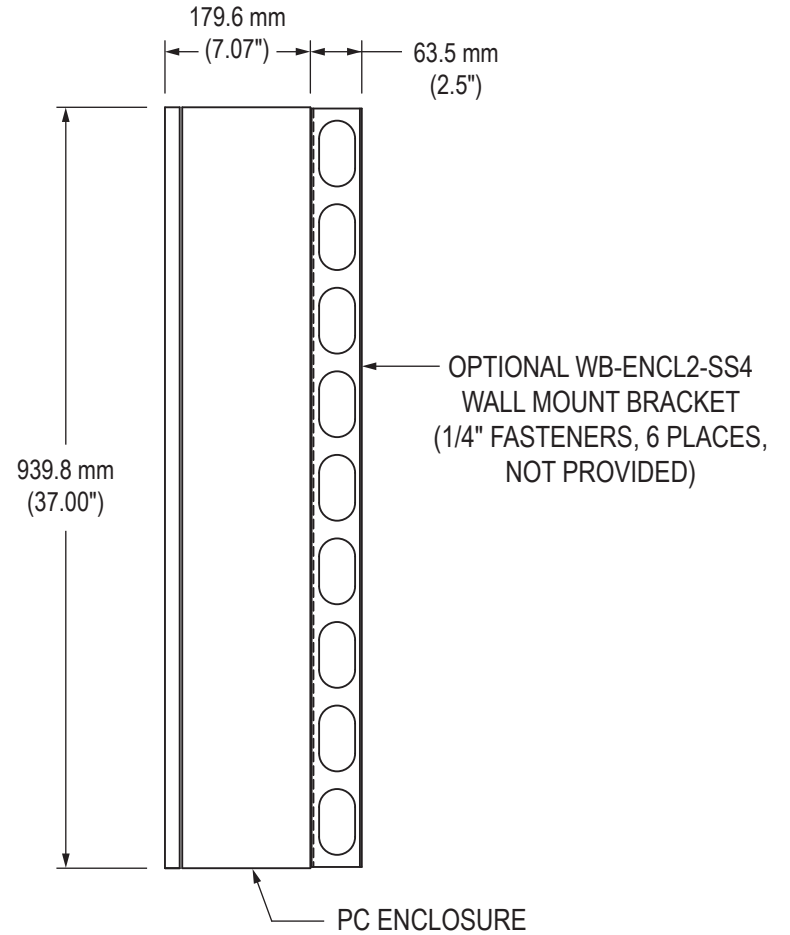
Page 4 of 7

WALL MOUNTING BRACKET

Front View of Enclosure

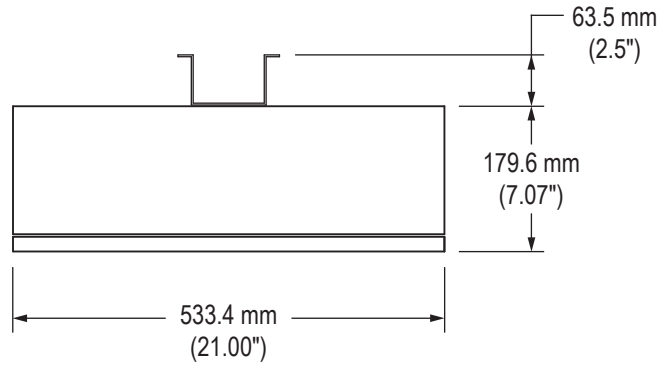


Side View

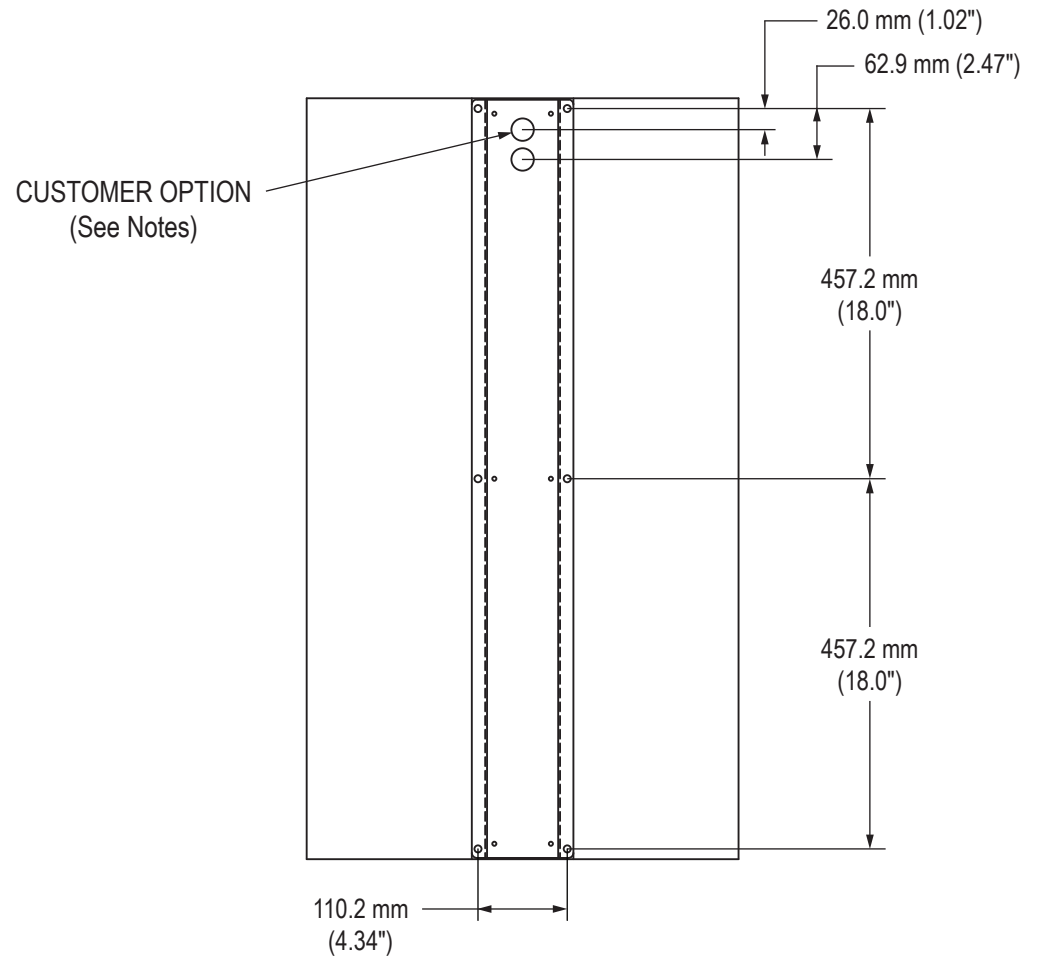


WALL MOUNTING BRACKET

Top View

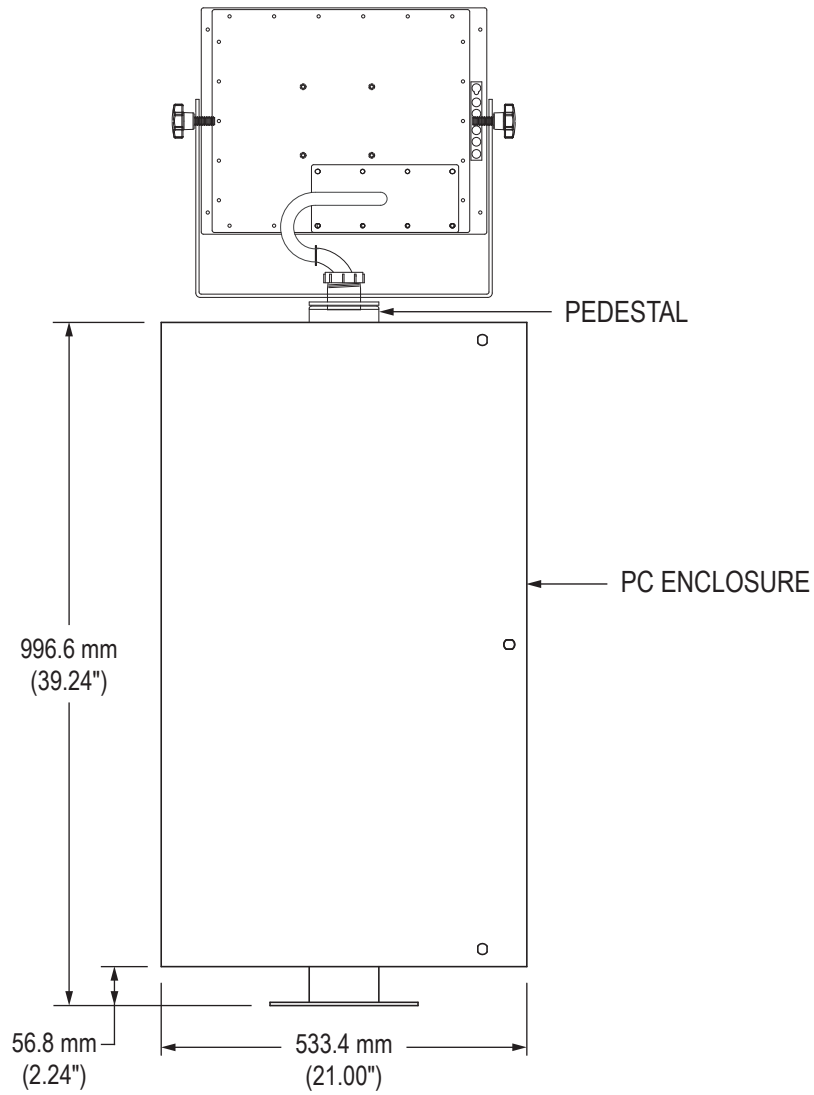


Rear View



MOUNTED ON PED4X4

Rear View



Side View

