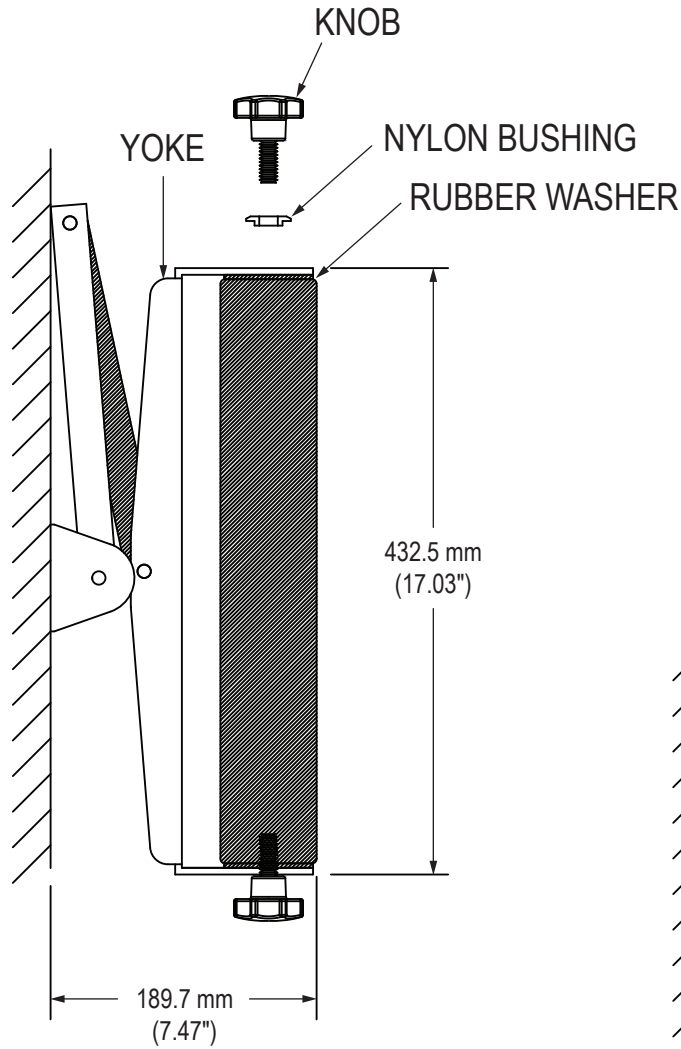
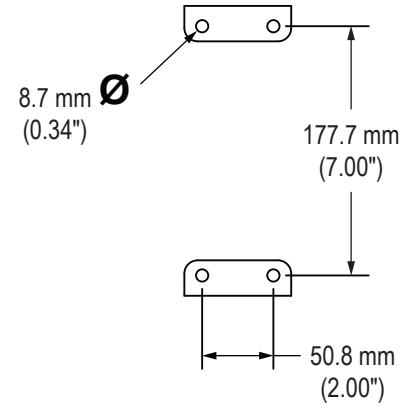


# 15/17" MODEL

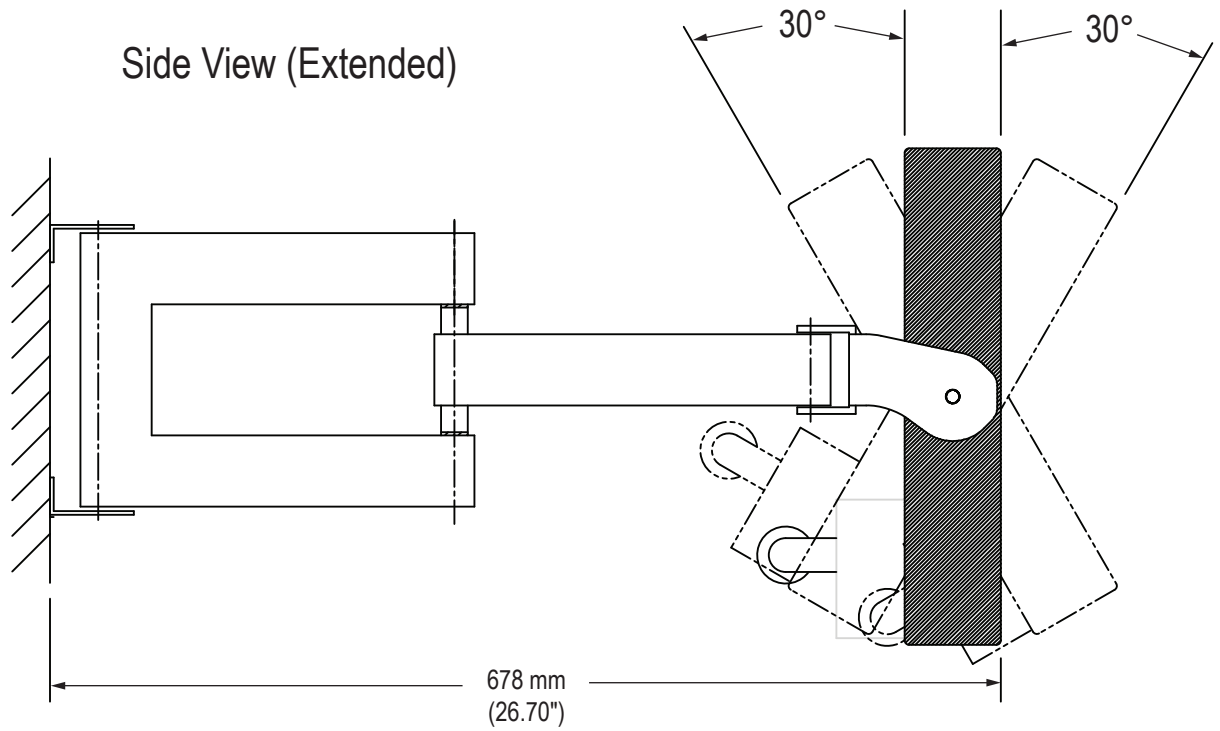
Top View (Collapsed)



Mounting Bracket

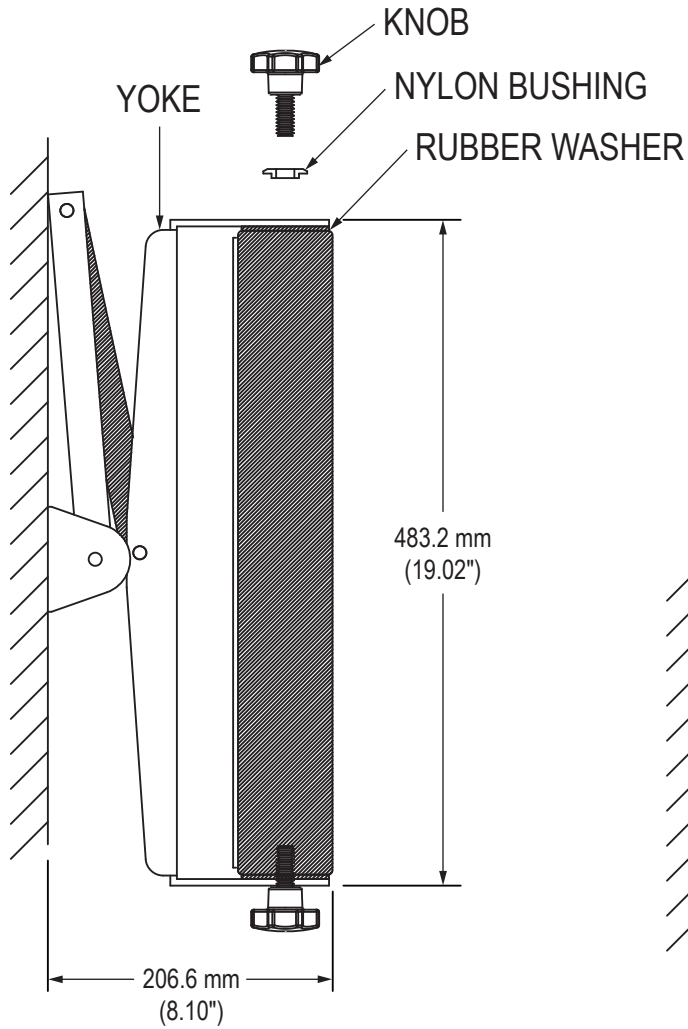


Side View (Extended)

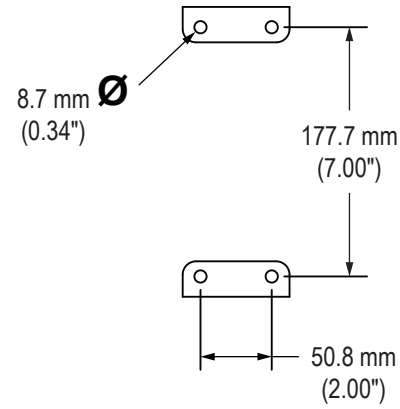


# 19" MODEL

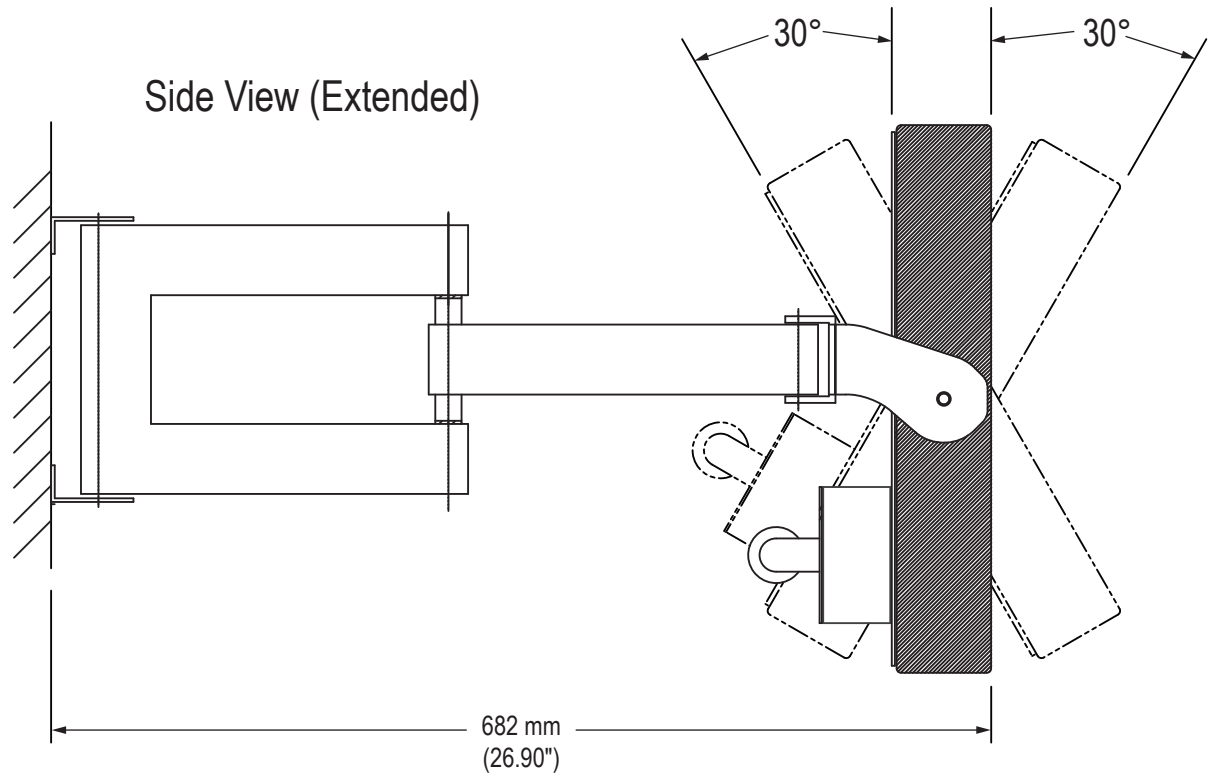
Top View (Collapsed)



Mounting Bracket

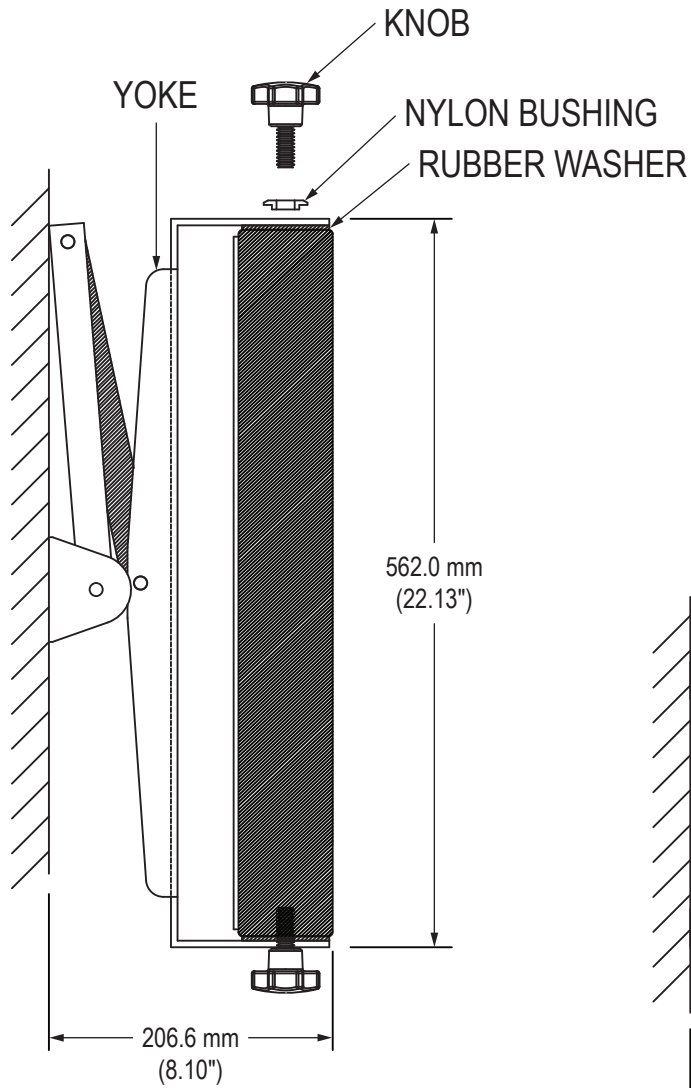


Side View (Extended)

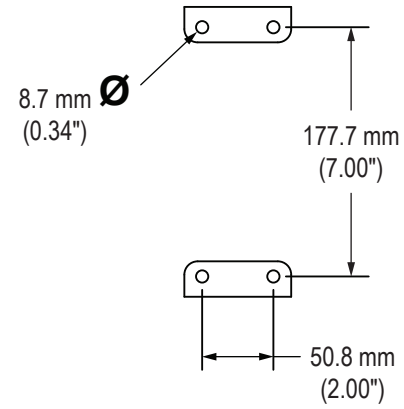


# 19.5" MODEL

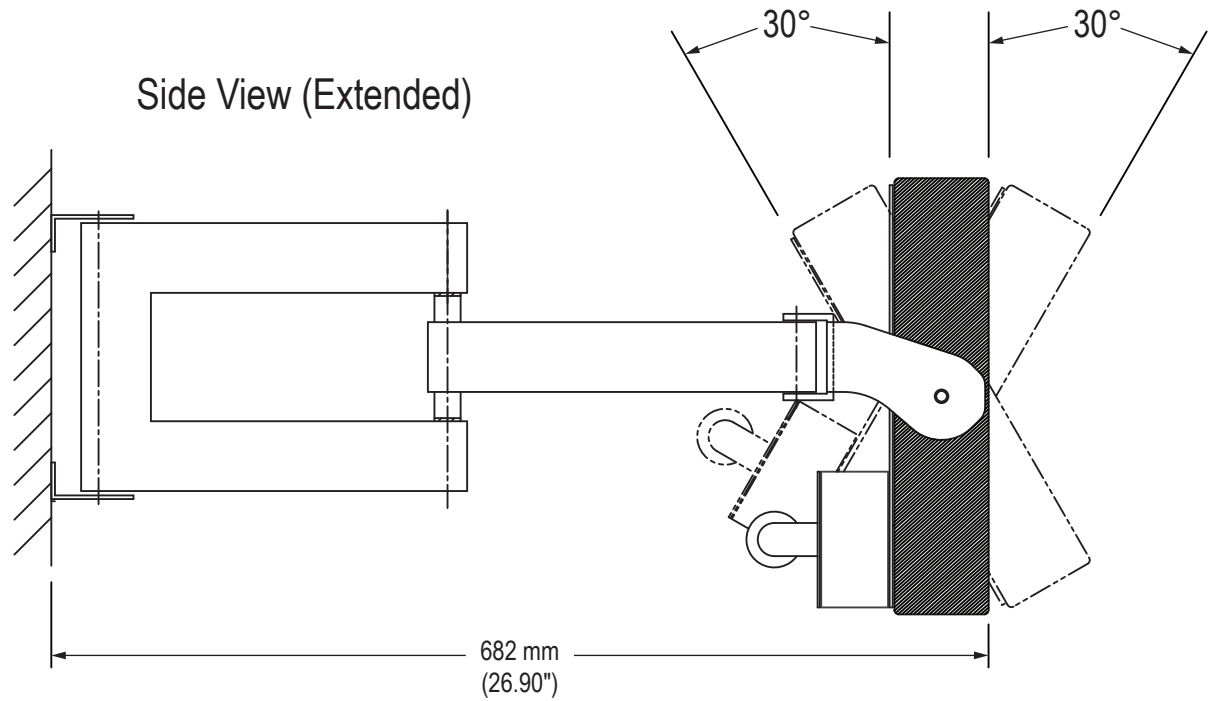
Top View (Collapsed)



Mounting Bracket

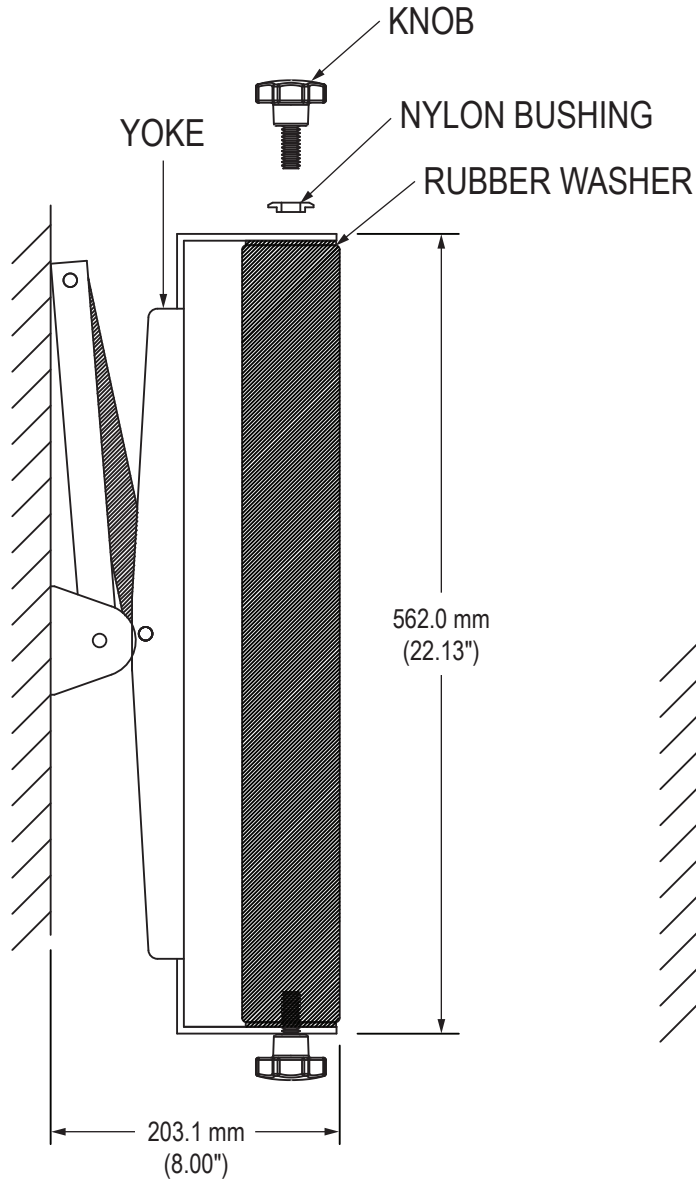


Side View (Extended)

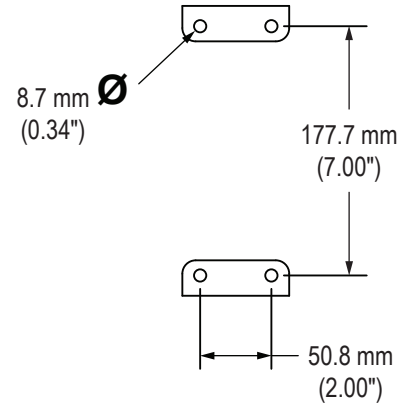


# 22" MODEL

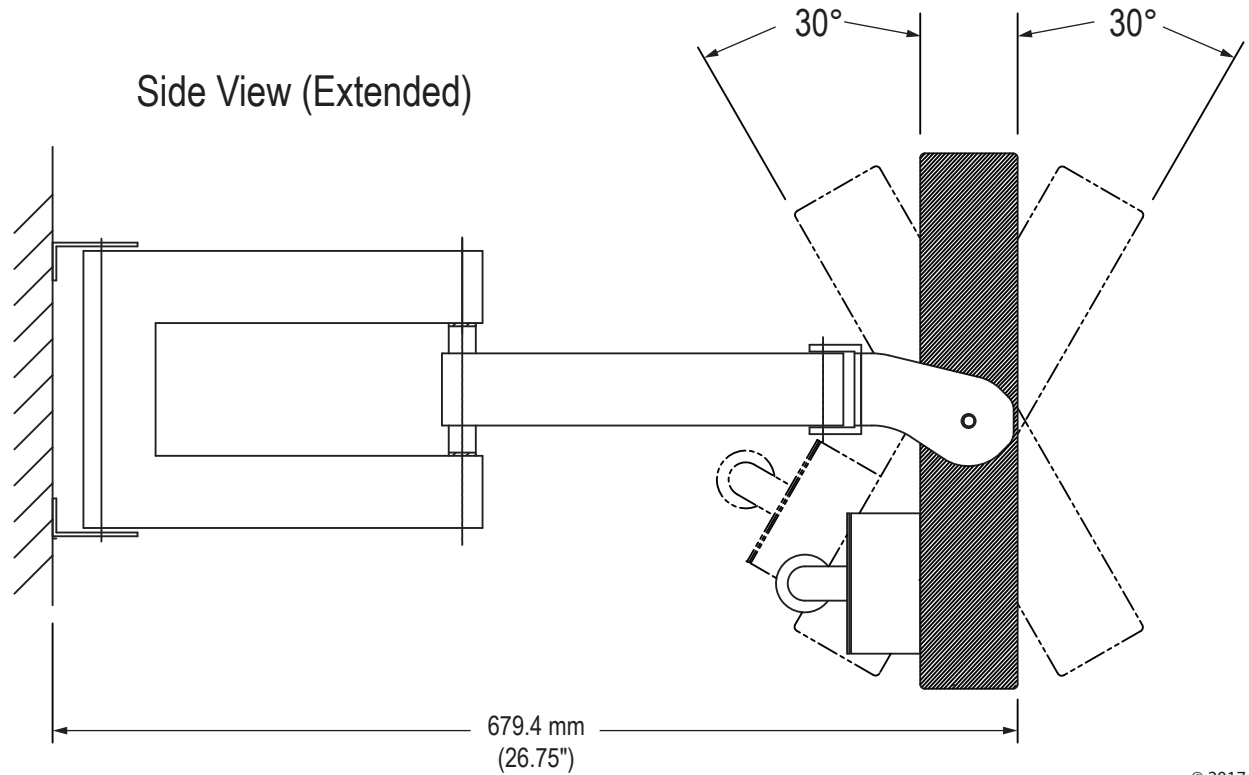
Top View (Collapsed)



Mounting Bracket

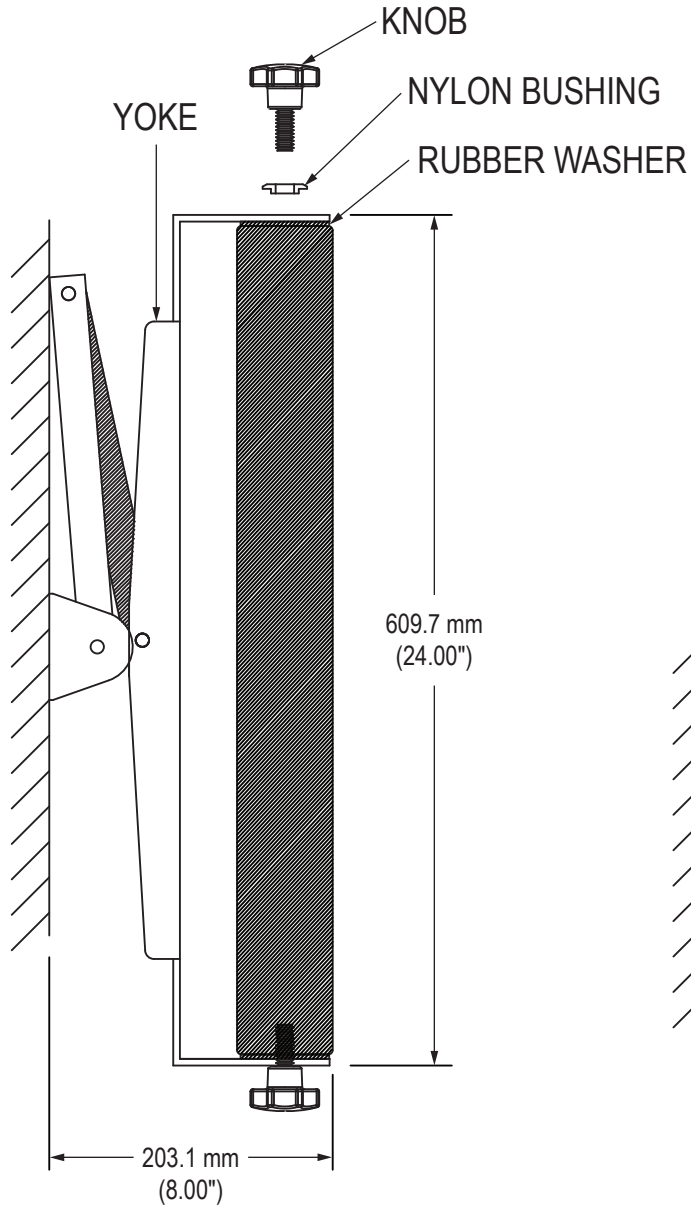


Side View (Extended)

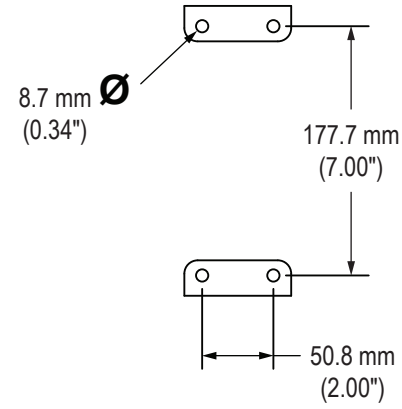


# 23" MODEL

Top View (Collapsed)



Mounting Bracket



Side View (Extended)

