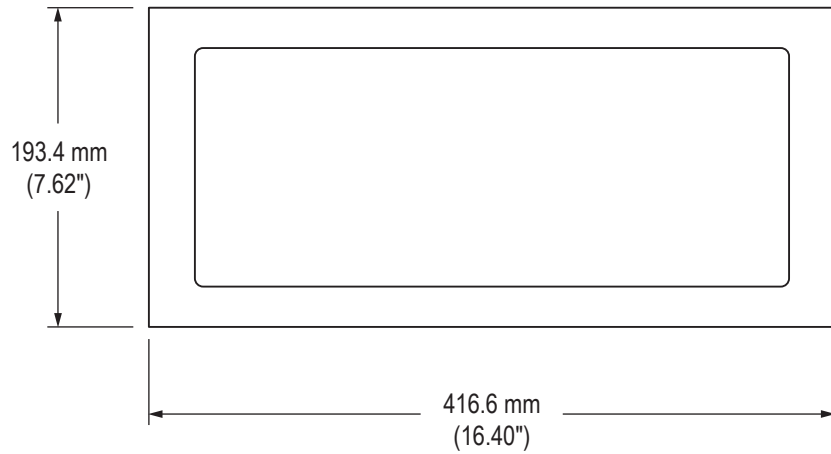
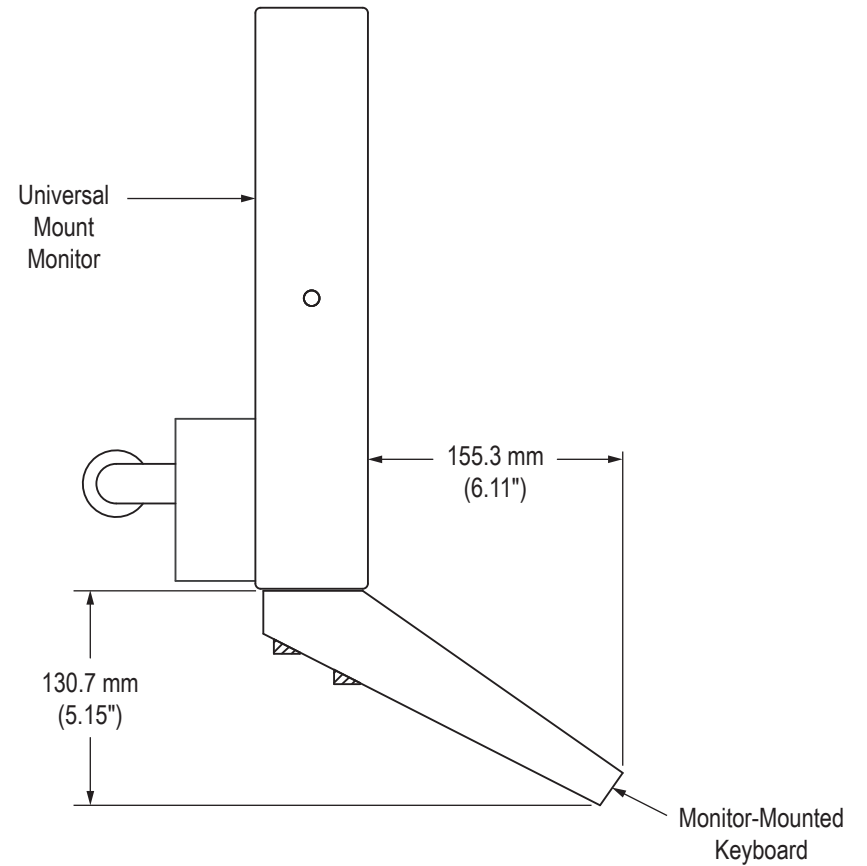


Top View

(Note: portion joined to monitor not shown)



Side View



Detailed Top View Showing Keys

(Note: portion joined to monitor not shown)

